



SIMARINE

EN

DE

PICO and PICOone Battery and Tank Monitoring System



USER MANUAL

Revision 1.5

www.simarine.net



Table of Contents

- 1 Introduction7
- 2 Accessories.....7
- 3 Safety8
- 4 Declaration of conformity8
- 5 Installation9
 - 5.1 PICO mounting9
 - 5.1.1 PICO standalone9
 - 5.1.2 PICO panel-mount10
 - 5.2 Connecting12
 - 5.2.1 Power cable12
 - 5.2.2 SiCOM data cable.....12
 - 5.2.3 How to connect an SC301/SC302T/SC501 Shunt.....13
 - 5.2.4 How to connect an SCQ25 Quadro Digital Shunt module13
 - 5.2.5 How to connect a Shunt SCQ25T Quadro Digital Shunt and Tank module13
 - 5.2.6 How to connect an ST107 Tank module13
- 6 Basic setup14
 - 6.1 Start screen after first connection15
 - 6.2 Language settings.....15
 - 6.3 Units15
 - 6.4 Battery configuration15
 - 6.4.1 Add new battery16
 - 6.5 Tank configuration17
 - 6.5.1 Add new Tank17
- 7 Displaying battery, tank, temperature, barograph, inclinometer measurements and alarms18



- 7.1 BATTERIES SCREEN 19
- 7.2 TANKS SCREEN 20
- 7.3 TEMPERATURES SCREEN 20
- 7.4 BAROGRAPH SCREEN 21
- 7.5 INCLINOMETERS SCREEN 21
- 7.6 ALARM SCREEN 21
- 8 Device configuration 22
 - 8.1 GENERAL SETTINGS 22
 - 8.1.1 SCREEN 23
 - 8.1.1.1 AUTO BRIGHTNESS 23
 - 8.1.1.2 BRIGHTNESS 23
 - 8.1.1.3 MIN. BRIGHTNESS 23
 - 8.1.2 DEVICE 23
 - 8.1.2.1 AUTO SLEEP 24
 - 8.1.2.2 SLEEP AFTER 24
 - 8.1.2.3 SLEEP SCREEN 24
 - 8.1.3 LANGUAGE 24
 - 8.1.4 UNITS 24
 - 8.2 DATA MANAGEMENT 24
 - 8.3 DEVICES 25
 - 8.3.1 BATTERIES 25
 - 8.3.1.1 NAME 26
 - 8.3.1.2 TYPE 26
 - 8.3.1.3 CAPACITY 26
 - 8.3.1.4 VOLTMETER 26
 - 8.3.1.5 AMMETERS 27
 - 8.3.1.6 TEMPERATURE SENSORS 27



- 8.3.1.7 ADVANCED SETTINGS..... 27
- 8.3.2 TANKS 28
 - 8.3.2.1 NAME 28
 - 8.3.2.2 TYPE 28
 - 8.3.2.3 SENSOR TYPE..... 28
 - 8.3.2.4 SENSOR 28
 - 8.3.2.5 CAPACITY..... 28
 - 8.3.2.6 CALIBRATION POINTS..... 28
 - 8.3.2.7 DISPLAY PRIORITY 29
 - 8.3.2.8 DELETE 29
- 8.3.3 TEMPERATURE SENSORS 30
 - 8.3.3.1 NAME 30
 - 8.3.3.2 TYPE 30
 - 8.3.3.3 DEVICE..... 30
 - 8.3.3.4 DISPLAY PRIORITY 30
 - 8.3.3.5 RANGE MIN 31
 - 8.3.3.6 RANGE MAX 31
 - 8.3.3.7 CALIBRATION..... 31
 - 8.3.3.8 DELETE 31
- 8.3.4 INCLINOMETERS 31
 - 8.3.4.1 NAME 31
 - 8.3.4.2 STYLE 31
 - 8.3.4.3 SENSOR 31
 - 8.3.4.4 NONLINEAR 32
 - 8.3.4.5 CALIBRATION..... 32
 - 8.3.4.6 DISPLAY 32
 - 8.3.4.7 REVERSE 32



- 8.3.4.8 DELETE 32
- 8.3.5 CURRENT SENSORS 32
 - 8.3.5.1 NAME 33
 - 8.3.5.2 RANGE 33
 - 8.3.5.3 REVERSE CURRENT 33
 - 8.3.5.4 ADD CURRENT 33
 - 8.3.5.5 BATTERY 34
 - 8.3.5.6 DISPLAY SEPARATELY 34
 - 8.3.5.7 DISPLAY PRIORITY 34
 - 8.3.5.8 DEVICE 34
 - 8.3.5.9 MERGE WITH 34
- 8.3.6 VOLTMETERS 35
- 8.3.7 OHMMETERS 35
- 8.3.8 COULOMB COUNTER 35
- 8.4 WI-FI 35
 - 8.4.1 OPERATION 35
 - 8.4.2 MODE 36
 - 8.4.2.1 AP MODE 36
 - 8.4.2.1.1 SSID 36
 - 8.4.2.1.2 TCP IP 36
 - 8.4.2.1.3 TCP PORT 37
 - 8.4.2.1.4 UDP IP 37
 - 8.4.2.1.5 UDP PORT 37
 - 8.4.2.1.6 PASSWORD 37
 - 8.4.2.1.7 WI-FI RESET 37
 - 8.4.2.2 STA MODE 37
 - 8.4.2.2.1 SSID 38



- 8.4.2.2.2 IP 38
- 8.5 DATE & TIME 38
 - 8.5.1 TIME 39
 - 8.5.2 DATE 39
 - 8.5.3 TIME ZONE 39
 - 8.5.4 TIME FORMAT 39
 - 8.5.5 DATE FORMAT 39
- 8.6 BAROGRAPH 39
 - 8.6.1 ALTITUDE 39
 - 8.6.2 TIME INTERVAL 39
- 8.7 SYSTEM 39
 - 8.7.1 COMMUNICATION DEVICES 39
 - 8.7.2 SYSTEM INFO 40
 - 8.7.3 SYSTEM RESET 40
- 9 Mobile App 40
 - 9.1 Save and restore settings 41
 - 9.2 Firmware Upgrade 41
- 10 Technical Specifications 43



1 Introduction

We congratulate on your purchase of the Simarine PICO Battery Monitor. Simarine developed a state of the art DC Battery monitor.

Simarine PICO is a water and dust resistant device used to monitor DC power sources as batteries and solar panels. The information is displayed on a large 3,5" high resolution IPS display with Gorilla® Glass and anti-reflective coating to ensure superior visibility.

PICO is capable of monitoring up to 6 batteries, 14 tanks, 14 temperatures and 20 independent current sensors (Shunts).

PICOone is capable of monitoring up to 2 batteries, 2 tanks, 2 temperatures and 20 independent current sensors (Shunts).

PICO and PICOone are equipped with a Wi-Fi module to communicate with the PICO application available for Android™ and iPhone® smartphones. The app allows accessing live data, analyzing historical data, configuring PICO and perform a firmware upgrade of PICO.

2 Accessories

SC300 and SC301 Digital Shunt – Simarine High Precision 300A Shunt

SC500 and SC501 Digital Shunt – Simarine High Precision 500A Shunt

SC302T Digital Shunt – Simarine High Precision 300A Shunt with 2 resistance inputs for tank level measurement and 2 voltage inputs for measuring voltages of two batteries.

SCQ25 Quadro Digital Shunt Module – Simarine High Precision 4x25A Shunt

SCQ25T Quadro Digital Shunt and Tank Module – Simarine High Precision 4x25A Shunt and Tank Interface Module with 4 resistance and 3 voltage inputs.

ST107 Digital tank interface module with 4 resistance and 3 voltage Inputs



3 Safety

Electrical specialists with proper safety equipment should make installation of Simarine electronics. When working with batteries, you should wear protective clothing and eye protection.

CAUTION: Batteries contain acid, a corrosive, colorless liquid that will burn your eyes, skin, and clothing. Should the acid come in contact with eyes, skin or clothing, wash it immediately with soap under fresh water for at least 15 minutes, and seek medical support immediately.

CAUTION: Do NOT connect anything to a damaged battery. It could heat up, catch fire or explode.

CAUTION: Lead-acid batteries can generate explosive gases during operation. Never smoke, allow flames or sparks near the battery. Make sure to keep sufficient ventilation around the battery.

CAUTION: When working with a battery, remove all personal metal items like watches, rings, necklaces, and bracelets. Metal items in contact with the battery terminals might cause a short circuit with a very high electric current, which may heat up and melt nearby objects and cause severe burns.

4 Declaration of conformity



MANUFACTURER: SIMARINE d.o.o.
ADDRESS: Ulica skofa Maksimilijana Drzecnika 6,
SI-2000 Maribor, Slovenia, EU

Declares that the following product:

PRODUCT TYPE: PICO

Conforms to the requirements of the following Directives of the European Union:
EMC Directive 2014/30EU, RoHS Directive 2002/95/EC

The above product conforms with the following harmonized standards:

EN61000-6-3: 2001 EMC - Generic Emissions Standard, EN61000-6-2: 2005 EMC - Generic Immunity Standard



5 Installation

5.1 PICO mounting

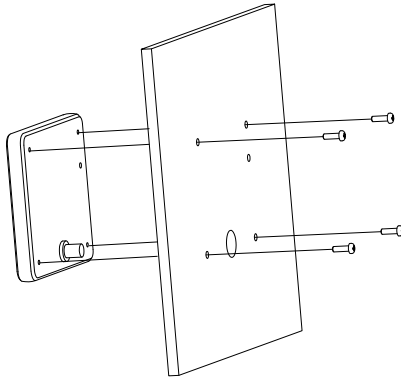
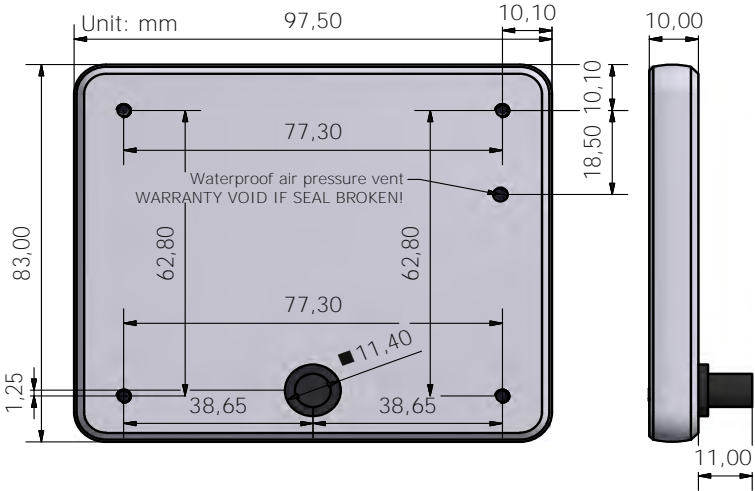
Smarine PICO should be installed in a visible place to provide good readability. **Please note that ONLY the PICO/PICOone display unit is water and dust resistant!** Any other modules including splitter shouldn't expose to high humidity or liquids in any case. The mounting process and installation cutouts depend on the model, as described in following sections.

5.1.1 PICO standalone

PICO Standalone version has dimensions of 98 x 84 x 10 mm (3.85 x 3.30 x 0.39 in) and needs NO installation cutout. The mounting process requires drilling of 5 (PICOone) or 6 (PICO) mounting holes and access to the rear of the mounting surface. In case you have NO rear access, you can bond it using supplied double-sided tape.

Step to be taken for proper mounting:

1. Before the drilling, check if there is enough space to mount your PICO.
2. Mark mounting holes using the supplied installation template.
3. Drill all holes.
4. Connect the connector on the back side of PICO to the splitter cable (be sure to align the pins correctly) and fasten it by turning the safety ring clockwise.
5. Finish mounting PICO from the back side with the supplied threaded rod and nuts. Screws, rods, and nuts **MUST** be fastened by hand. Excessive force may damage the threads on PICO.



5.1.2 PICO panel-mount

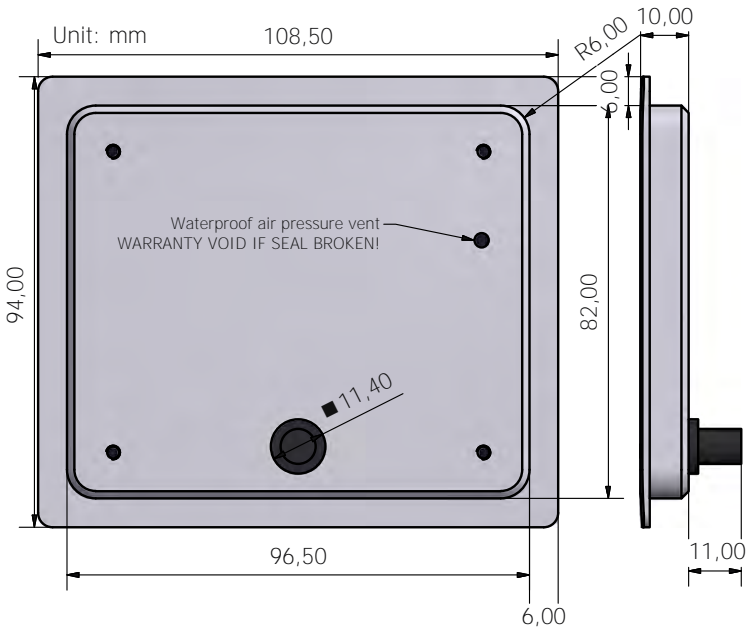
PICO Panel-mount version dimensions are 108.5 x 94 x 10 mm (4.27 x 3.70 x 0.39 in). It needs an installation cutout of 98 x 83mm. It can be mounted with supplied threaded rods and brackets or bonded with adhesive if there is no rear access to the mounting surface.

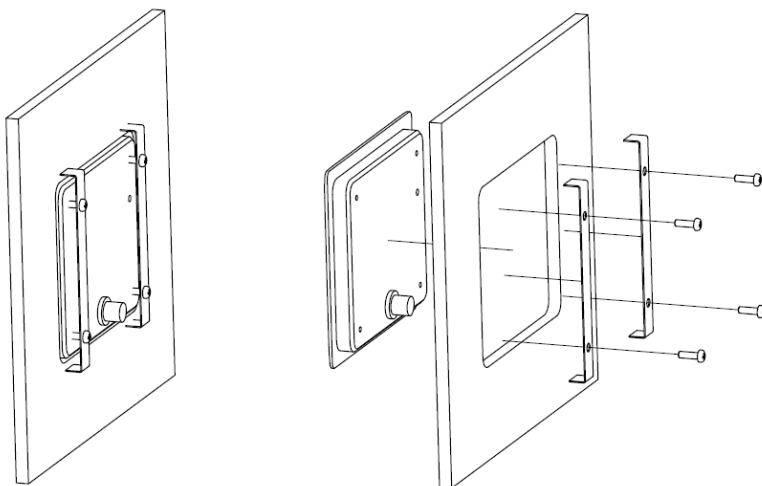
Steps to be taken for proper mounting:





1. Before cutting out, check if there is enough space for your PICO.
2. Mark the cutout line with the supplied installation template.
3. Using a saw, carefully cut out the marked area.
4. Connect the connector on the back side of PICO to the splitter cable (be sure to align the pins correctly) and fasten it by turning the safety ring clockwise.
5. Finish mounting PICO from the back side with the supplied threaded rod and nuts. Screws, rods, and nuts **MUST** be fastened by hand. Excessive force may damage the threads on PICO.





5.2 Connecting

5.2.1 Power cable

Minimum power cable cross-section requirement at a maximal temperature of insulation: 70 °C (160 °F).

Continuous current	Cable cross-sectional area
500 A	220 mm ²
400 A	150 mm ²
300 A	95 mm ²
200 A	50 mm ²
100 A	25 mm ²

CAUTION: Failure to observe the required cable cross-sections can damage the shunt, wiring, or cause a fire.

5.2.2 SiCOM data cable

For the SiCOM connection use the supplied cable. If not possible, use the following table to determinate the right cable type.



Cable length	Cable type
< 5m	No limitations
>= 5m	2 x 2 x 0.25 mm ² Twisted pair (recommended)

PICO connects to the SiCOM bus via attached Splitter, which is a SiCOM bus entry point for other devices and the power connection. Splitter must connect to the power source (6-35V) with the red/black cable. Its recommended to connect the power cable behind the main switch, so you can power off the complete system, although the total power consumption of the system is very low (usually <100mA at normal operation).

5.2.3 How to connect an SC301/SC302T/SC501 Shunt

! You can find the latest SC301/SC302T/SC501 Digital shunt manual on this [link](#) (or visit our website: <https://www.simarine.net/manuals/>).

5.2.4 How to connect an SCQ25 Quadro Digital Shunt module

! You can find the latest SCQ25 Quadro Digital Shunt module manual on this [link](#) (or visit our website: <https://www.simarine.net/manuals/>).

5.2.5 How to connect a Shunt SCQ25T Quadro Digital Shunt and Tank module


! You can find the latest SCQ25T Quadro Digital Shunt and Tank module manual on this [link](#) (or visit our website: <https://www.simarine.net/manuals/>).

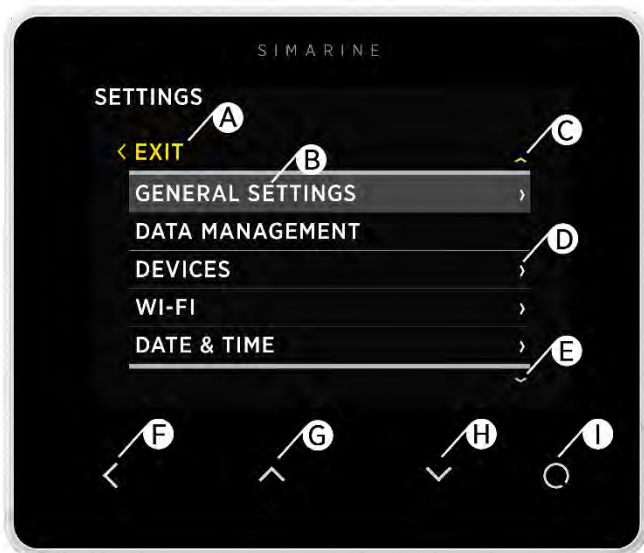
5.2.6 How to connect an ST107 Tank module

! You can find the latest ST107 Tank module manual on this [link](#) (or visit our website: <https://www.simarine.net/manuals/>).



6 Basic setup

PICO's menu management is transparent and easy to use. All changes can be done using four touch buttons below the screen. Menus and settings on the picture below can differ from the menus and settings on your device since future firmware upgrades might cause some minor changes in the menus and settings. Long press  button to enter the settings menu.



A – Label indicates current position in the menu.

B – Currently selected item.

C – Arrow indicates there is at least one more menu item in the arrow direction.

D – Arrow indicates there is a submenu.

E – Arrow indicates there is at least one more menu item in the arrow direction.

F – **BACK BUTTON**, is used to navigate one level back or leave the settings menu.

G – **UP BUTTON** is used to navigate up in the menu or changing value or switching screens in live view.

H – **DOWN BUTTON** is used to navigate down in the menu or changing value or switching screens in live view.

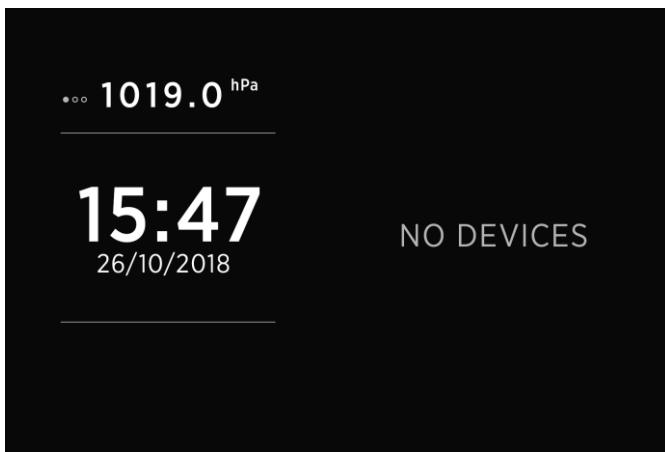
I – **ENTER BUTTON**, long press activates settings, short press commits changes or enters selected submenu.




6.1 Start screen after first connection

After installation and first connection, you should see a screen similar to the one shown below.

EN



After the first power-on, there are no batteries and tanks. Please long press  button to enter the settings menu.

6.2 Language settings

You can change the device's language by navigating to GENERAL SETTINGS → LANGUAGE. You can choose between English, German, and French language. More languages will be added with future firmware upgrades.

6.3 Units

You can change units by navigating to GENERAL SETTINGS → UNITS. There, you can select your preferred units for pressure, temperature, tank volume, and altitude.

6.4 Battery configuration

PICO shows all properly configured batteries. Each correctly configured battery will automatically show up on PICO. The following section describes how to set up a battery on PICO.



6.4.1 Add new battery

The following steps are equal for SC300, SC301, SC302T, SC500, SC501 digital shunts.

EN

In the settings menu, navigate to DEVICES → BATTERIES.

Select “Add new” and fill in the requested data.

- Name the battery/battery bank accordingly (STARTER, SERVICE, MAIN, etc.)
- Select the battery type (Wet low maintenance, Wet maintenance free, AGM, Deep cycle, Gel, LiFePO4)
- Fill in the battery capacity for the next C ratings: C/20, C/10, and C/5. If you don't know all the ratings, fill in just those ratings that you know. It is highly recommended to fill at least two C ratings (one is not enough for precise calculations).

A “C” rating is simply a battery's capacity (or Ah/amp hour rating) when discharged over a specific period. Usually, the “C” rating is specified on the battery label.


For correct operation, set unknown ratings as “Not set”!

- Select a voltmeter connected to the battery. You can see only voltmeters that are not already used by other battery configurations.

SETTINGS	
< VOLTMETERS	
PICO INTERNAL	11.851 ^V
SC500 [0216735249]	12.428 ^V
ST107 [0167137256] U1	0.000 ^V
ST107 [0167137256] U2	0.000 ^V
ST107 [0167137256] U3	0.000 ^V

- Select the current sensor connected to the battery. You can select only current sensors that are not already used by an existing battery configuration.



- For a battery configuration without a shunt, leave current sensor empty.
- Select a temperature sensor if you have one installed.
 - Confirm and save the battery configuration with  button.

The newly added battery should now be visible on one of the PICO's screens once you exit the settings menu.

6.5 Tank configuration

PICO shows all properly configured Tanks. Each configured Tank will automatically show up on PICO.

The following section describes how to set up a tank on PICO.

6.5.1 Add new Tank

The following steps are equal for SCQ25T/SC302T/ST107 modules. It is required to install your module of choice properly. Find the installation described in the corresponding module manual. After successfully installing the module, you can configure the tank by following these steps:

In the settings menu, navigate to DEVICES → TANKS.

Select "Add new" and fill in the requested data.


- NAME - Name the tank accordingly (FRESH WATER, WASTEWATER, FUEL 1, etc.)
- TYPE - Select the tank type (WATER, FUEL, WASTEWATER), which defines the color of the tank on PICO's screen.
- SENSOR TYPE - Select the used sensor type (RESISTANCE or VOLTAGE)
- SENSOR - Select the used sensor from the list.



SETTINGS

< OHMMETERS

SC500 [0216835249]	10060
ST107 [0167137256] R1	65535
ST107 [0167137256] R2	65535
ST107 [0167137256] R3	65535
ST107 [0167137256] R4	404

- CAPACITY – Input the full tank capacity.
- CALIBRATION POINTS – Add calibration points for different tank levels. For a proper configuration at least two calibration points are required. More calibration points will enable PICO to show tank level more accurately. Added can be up to 11 calibration points. Set for each calibration point, the tank fill volume (liters or gallons) and a corresponding sensor value (resistance or voltage).
- Confirm and save the tank configuration with  button.

The newly added tank should now be visible on one of the PICO's screens once you exit the settings menu.

7 Displaying battery, tank, temperature, barograph, inclinometer measurements and alarms

You can switch between different screens by pressing the up or down arrow buttons.

There will be a separate screen for each battery with at least one connected current sensor (shunt).

Multiple batteries without a current sensor (measuring voltage only) may join on a single screen.



Up to four tanks and four thermometers will join on a single screen. If there are more, they divide into two or more screens.

There is also a separate barograph screen on PICO (not on PICOone).

7.1 BATTERIES SCREEN

Screens for showing battery data differ depending on how many current sensors are connected to a certain battery.

If the battery connects only to a voltage sensor (without a current sensor), the battery name, approximate state-of-charge (SOC) and current-voltage are displayed. The calculation of SOC takes some time, so it may not be shown immediately after power-on.

Up to three batteries without a current sensor can be shown on a single screen. If there are more, they divide into two or more screens.

If the battery is connected to a voltage sensor and a single current sensor (shunt), some additional data are displayed: time to charge, time to discharge and electrical current (amps). SOC can be calculated more accurately if a current sensor is connected. Time to discharge is calculated by using an average consumption during some period.

If there is more than one current sensor (shunt) connected to the battery (e.g., for monitoring different consumers or generators, connected to the battery), their data (amps) is also shown on the battery page.

! PICO's algorithm for calculating state-of-charge (SOC) is not a simple Ah-counter.

It is constantly monitoring battery current, voltage, and temperature. These data are compared to the internal battery model, and its parameters are constantly being adjusted so that the model fits the actual data.

The algorithm needs some time to adjust the parameters (learning phase), and it will improve accuracy during the first few cycles.



7.2 TANKS SCREEN

Tanks screen shows the current level of connected and properly configured tanks. Up to four tanks can be displayed on a single screen. If there are more, they divide into two or more screens.

For each tank, you can find its name, graphical representation of the current level, and numerical values of the current level as a percentage and as volume unit (liters, gallons).

Depending on the selected tank types, they represented with different colors.

Tank order, colors, names, capacities and capacity units may be changed in the settings menu.

If the tank sensor isn't selected in the tank settings or the sensor disconnected from the PICO system, the "OFFLINE" symbol will appear on the screen. If this situation occurs, check the **sensor** setting of the tank. If a sensor is selected, check if all the cables are properly connected.

7.3 TEMPERATURES SCREEN

Temperatures screen shows current temperatures of connected and correctly configured temperature sensors. Up to four temperature sensors can be shown on a single screen. If there are more, they divide into two or more screens.

For each sensor, you can find its name, graphical representation of the current temperature, and the numerical value of the current temperature in the chosen unit (°C or °F).

Thermometer order, names, min. and max. ranges and temperature units may be changed in the settings menu.


If the temperature sensor is not selected in the temperature sensor settings or the sensor is disconnected from the PICO system, the "OFFLINE" symbol will appear. If this situation occurs, please check the temperature sensor setting. If a device is selected, please check if all the cables are properly connected.



7.4 BAROGRAPH SCREEN

The symbol on the left shows the current air pressure trend. The arrow shows trend direction (up – rising or down – falling). If the pressure is increasing or decreasing rapidly (1.0 mbar/h or more), two arrows are shown.

Below the trend symbol, two values show the current trend and current sea level pressure.

You can find the barograph on the right side. The default interval for the barograph can be changed in the settings menu (BAROGRAPH → TIME INTERVAL). However, you can also manually switch between different time intervals on the barograph screen by shortly pressing the  button.

! The screen is only available on PICO. There is no barograph support on PICOone.

7.5 INCLINOMETERS SCREEN

If you have an inclinometer installed, the “Inclinometers screen” shows your pitch and roll data.

Pitch is shown on the left side of the screen. The left side of the line represents the front of the vehicle or boat (bow), while the right side of the line represents the back of the vehicle or boat (stern). The pitch angle in degrees is shown below the line (positive value meaning front facing up and vice versa).

Roll is shown on the right side of the screen. The left side of the line represents the left-hand side of the vehicle or boat. The roll angle in degrees is shown below the line (positive value meaning left-hand side up and vice versa).

7.6 ALARM SCREEN

When an alarm is triggered it is shown on PICO (see image below). From there you can control the alarm state:


- **Hide**, which hides the alarm from the display, but it is still active in the background. The output is active (if setup).
- **Snooze**, for 5 or 30 minutes, which means it is hidden for 5 or 30 minutes and then displayed again if still active. The output is active (if setup).
- **Dismiss**, turns the alarm and output (if setup) for 24h off.

When multiple alarms are active, at the same time, then they are alternately displayed.



If at least one alarm is active, then an alarm entry on top in the menu settings is displayed. From there you can view all currently active alarms.

8 Device configuration

You can enter the settings menu by long pressing the  button. To navigate through the list, use up and down arrow buttons. To select an item, press enter button. To navigate one level back, use the back button.

8.1 GENERAL SETTINGS

This menu offers screen, language, units and sleep settings.



8.1.1 SCREEN



EN

8.1.1.1 AUTO BRIGHTNESS

When auto-brightness is enabled, PICO's internal light sensors automatically adjust the screen brightness to match the ambient lighting conditions.

8.1.1.2 BRIGHTNESS

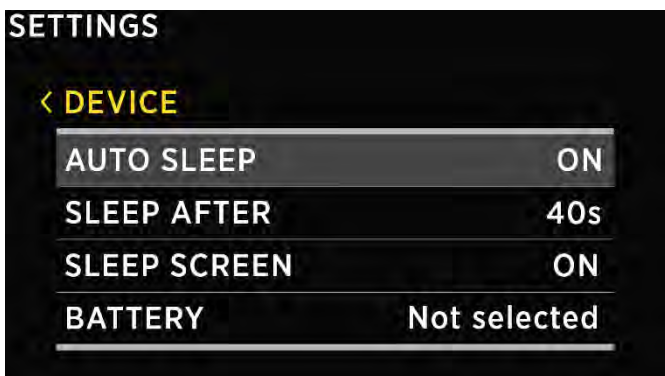
The brightness level used during normal operation. When AUTO BRIGHTNESS is enabled, this is the maximum brightness level.

8.1.1.3 MIN. BRIGHTNESS

Min. brightness has two functions.

1. When PICO is in sleep mode, the illumination is set to min. brightness level.
2. When AUTO BRIGHTNESS is enabled, it defines the minimum illumination.

8.1.2 DEVICE





8.1.2.1 AUTO SLEEP

If enabled, PICO goes into sleep mode after SLEEP AFTER time.

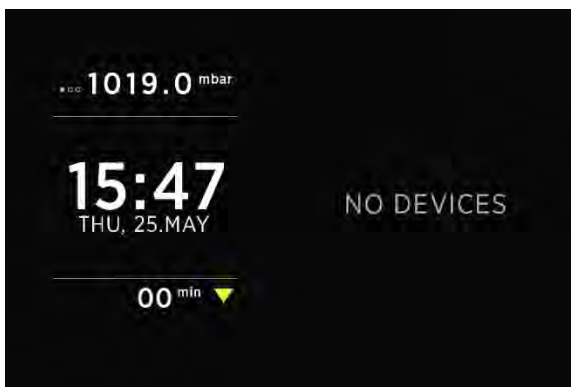
EN

8.1.2.2 SLEEP AFTER

Time after which the PICO goes into sleep mode if the AUTO SLEEP setting is enabled.

8.1.2.3 SLEEP SCREEN

If SLEEP SCREEN is enabled, PICO will show sleep screen if it is in sleep mode.



8.1.3 LANGUAGE

You can choose between English and German language. More languages will be added with future firmware upgrades.

8.1.4 UNITS

You can choose different international units for pressure, temperature, volume, and altitude.

8.2 DATA MANAGEMENT

This menu enables you to set up alarms for certain measurements. Here, you can choose the quantity, the device, low and high values for alarm, and you can turn the high/ low-value alarms on and off.

- **ALARM LOW:** Low-value alarm fires when the measured value is lower than the setup **alarm value**.



- **ALARM HIGH:** High-value alarm fires when the measured value is higher than the setup **alarm value**.

After you select ALARM LOW or ALARM HIGH, the following alarm settings will appear:

- **ALARM STATE** used to enable or disable the alarm.
- **ALARM VALUE**, a limit value which fires the alarm.
- **SILENT**, if enabled, there will be no audible signal when the alarm fires. The alarm warning will only appear on PICO's screen.
- **ALARM DELAY**, the time delay with which the alarm is fired. The alarm fires when only the measured value is below (for alarm low) or above (for alarm high) the "alarm value" during the delay period.
- **ALARM DURATION**, the selected alarm duration. 5 minutes by default.
- **OUTPUT**, the digital output that is turned on during an active alarm.

8.3 DEVICES

Here, you can manage all the devices that are connected to your PICO. When you connect a new module to your PICO system (e.g., a new shunt), some new devices will automatically appear on the devices list (e.g., current sensors, voltmeters, ohmmeters...). These devices automatically appear because they are integrated into the modules. But "secondary" devices - those that are connected to the modules (BATTERIES, TANKS, THERMOMETERS, and analog INCLINOMETERS) - will not be added automatically. If you connect a new battery, tank or thermometer, you have to add and configure the new device manually in the DEVICES menu.

Devices are grouped into different device types. To view, manage, add or delete a certain device, please select the corresponding device type from the list (e.g., BATTERIES, TANKS ...).

8.3.1 BATTERIES

List of batteries which you have added to your PICO. By selecting a certain battery, you can view or change its settings, and you can delete the battery if you need to. By selecting "Add new" you can add a new battery.

! After adding a new battery or changing settings of an existing battery, the algorithm for calculating state-of-charge (SOC) needs some time to adjust the parameters of its battery model (learning phase). It will improve accuracy during the first few cycles.



8.3.1.1 NAME

Here, you can view or edit the battery name.

EN

8.3.1.2 TYPE

Here, you can view or change the battery type. Supported types are:

- WET LOW MAINTENANCE
- WET MAINTENANCE FREE
- AGM
- DEEP CYCLE
- GEL
- LiFePO4

8.3.1.3 CAPACITY

The nominal battery capacity for the next C ratings: C/20, C/10, and C/5. If you don't know all the ratings, fill in just those ratings that you know. It is highly recommended to fill at least two C ratings (one is not enough for precise calculations). A "C" rating is simply a battery's capacity (or Ah/amp hour rating) when discharged over a specific period. Usually is the "C" rating specified on the battery label or the battery datasheet.



For correct operation, set unknown ratings as NOT SET!

8.3.1.4 VOLTMETER

List of all voltmeters connected to a battery. You can see only voltmeters that are not already used by other battery configurations.



SETTINGS

< VOLTMETERS

PICO INTERNAL	11.851 ^v
SC500 [0216735249]	12.428 ^v
ST107 [0167137256] U1	0.000 ^v
ST107 [0167137256] U2	0.000 ^v
ST107 [0167137256] U3	0.000 ^v

8.3.1.5 AMMETERS

A current sensor (shunt) which connects to the battery. You can only select current sensors that are not already used by other device's configuration.

! For a battery configuration without a shunt, leave current sensor empty.

8.3.1.6 TEMPERATURE SENSORS

List of all temperature sensors in SiCOM network. You can only select sensors that are not already used by other device's configuration.

8.3.1.7 ADVANCED SETTINGS

Advanced users may adjust some additional battery settings to customize the battery data display. It is not mandatory to change these settings – the defaults should be suitable for most users.

- **TTG AVG** – averaging interval for calculating TTG (time-to-go). “Short” means that TTG will respond to the change in current more quickly, and “Very long” means that TTG will respond to the change in current more slowly.
- **TTG SOC MIN** – Target state-of-charge (%) for the time-to-go calculation during battery discharge. TTG shows the time when the battery will reach the preset TTG SOC value.
- **CEF** – charging efficiency (%).



- **DISPLAY TYPE** – “Detailed” display type also shows the amp-hour counter on the Batteries screen.

8.3.2 TANKS

List of tanks which you have added to your PICO. By selecting a certain tank, you can view or change its settings, and you can delete the tank if you need to. By selecting “Add new” you can add a new tank.

8.3.2.1 NAME

Here, you can view or edit the tank name.

8.3.2.2 TYPE

Here, you can view or change the tank type. You can choose between WATER, FUEL, and WASTEWATER. Tank type is used solely for the color that will represent the tank on PICO’s screen. Each type has a different color.

8.3.2.3 SENSOR TYPE

You can select or change the sensor type that is used to measure the tank level. You can choose between RESISTANCE and VOLTAGE sensor types.

8.3.2.4 SENSOR

Voltage or Resistance sensor which is used to measure the tank level. Here, you can view or select the corresponding sensor. You can only choose sensors that are not already used by other device’s configuration.

8.3.2.5 CAPACITY

Used to set up the full tank capacity.

8.3.2.6 CALIBRATION POINTS

Here, you can view the list of calibration points for the tank. You can also add new calibration points or remove existing ones. If you are adding a new tank, at least two calibration points have to be added for a proper configuration. More calibration points will enable PICO to show tank level more accurately. Up to 11 calibration points can be added.

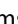

For each calibration point, tank fill volume and a corresponding sensor value (resistance or voltage) must be set.



A – **Fill volume** of a tank [liters/gallons]

B – **Sensor value**, resistance [ohms] or voltage [volts]

To add a new calibration point:

- select CALIBRATION POINTS → Add New
- Two values will appear on the screen. The value on the left shows the tank fill volume, and the value on the right shows the corresponding sensor value (resistance in ohms or voltage). Press  to set up a tank level. The left value turns yellow.
- Use arrow buttons to input the desired tank level in liters or gallons. Press  to confirm the value.
- Now, the right value (resistance or voltage) turns yellow. A menu pops up which allows you to choose:
 - MEASURED VALUE: use currently measured value by the selected sensor (resistance or voltage).
 - INPUT VALUE: when selecting this item, you can manually enter the desired value (resistance or voltage).
 - DELETE: when selecting this item, the calibration point is deleted.

8.3.2.7 DISPLAY PRIORITY

This setting enables you to choose between the following display priorities: HIGH, MEDIUM, LOW and HIDE.

Use display priority for ordering the tanks on PICO's screen. When tanks are shown on the screen, those with HIGH display priority are shown first (leftmost), followed by tanks with MEDIUM display priority. Tanks with LOW display priority are shown last. If you select HIDE, this tank's level will not be shown on the Tanks screen (it will be hidden).

8.3.2.8 DELETE

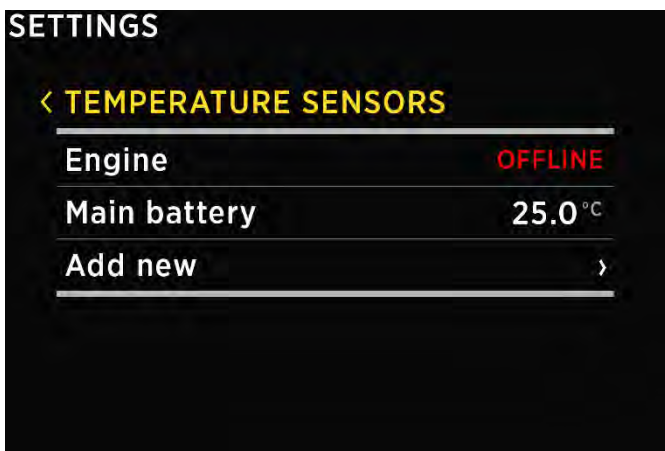
With this option, you can delete the selected tank.



8.3.3 TEMPERATURE SENSORS

List of temperature sensors which you have added to your PICO. By selecting a certain sensor, you can view or change its settings, and you can delete it if you need to. By selecting “Add new” you can add a new temperature sensor.

EN



8.3.3.1 NAME

Here, you can view or edit the temperature sensor name.

8.3.3.2 TYPE

Here, you can view or change the temperature sensor type. Supported models: NTC 10K and NTC 5. These are 10kOhm and 5kOhm thermistors with a negative temperature coefficient.

8.3.3.3 DEVICE

The device and input to which the sensor is connected. For example: if the sensor is connected to the ST107 module and its input R1, select the option **ST107 [serial number] R1**.

8.3.3.4 DISPLAY PRIORITY

This setting enables you to choose between the following display priorities: HIGH, MEDIUM, LOW and HIDE.

The display priority is used for ordering the thermometers on PICO's screen. When thermometers are shown on the screen, those with HIGH display priority are shown



first (leftmost), followed by thermometers with MEDIUM display priority. Thermometers with LOW display priority are shown last. If you select HIDE, this thermometer's level will not show up on the Temperatures screen (it will be hidden).

8.3.3.5 RANGE MIN

PICO shows thermometer with a graphical representation (vertical bar), together with the current numerical value. This option defines minimum value (temperature) of the thermometer bar.

8.3.3.6 RANGE MAX

PICO shows thermometer with a graphical representation (vertical bar), together with the current numerical value. This option defines maximum value (temperature) of the thermometer bar.

8.3.3.7 CALIBRATION

This setting enables you to calibrate the sensor value. If the displayed value is too high, you can use a negative calibration value (offset). If the displayed value is too low, you can use a positive calibration value (offset).

8.3.3.8 DELETE

With this option, you can delete the selected temperature sensor.

8.3.4 INCLINOMETERS

List of inclinometer sensors which you have added to your PICO. By selecting a certain sensor, you can view or change its settings, and you can delete it if you need to. By selecting "Add new" you can add a new analog sensor with voltage output.

8.3.4.1 NAME

Here, you can set the inclinometer sensor name to "Pitch" or "Roll".

8.3.4.2 STYLE

You can choose between different graphical representations of the inclinometer on the mobile app: line, caravan or camper. Note that this setting is only available on the mobile app.

8.3.4.3 SENSOR

The analog (voltage) input to which the analog sensor is connected.



8.3.4.4 NONLINEAR

You can enable or disable a nonlinear display of the angle. If the nonlinear setting is disabled, the line on the screen is plotted exactly at the (true) pitch or roll angle. Since it might be difficult to distinguish small angles, you can enable the nonlinear display of the angle. In this mode, the line is plotted at a greater angle if the true pitch or roll angle is small. While it is much easier to observe small angles and small changes in this mode, the angle of the line does not represent the true angle (it is exaggerated).

8.3.4.5 CALIBRATION

Used to calibrate the analog sensor. You can set voltage for zero point (angle 0°) and steps (millivolts per degree).

8.3.4.6 DISPLAY

With this setting, you can show or hide the inclinometer on PICO's screen.

8.3.4.7 REVERSE

If the inclinometer shows the inverse value for pitch or roll angle (e.g., left instead of right), you can enable this option to reverse the display.

8.3.4.8 DELETE

With this option, you can delete the selected inclinometer sensor.

8.3.5 CURRENT SENSORS

List of all current sensors (shunts). Connected current sensors are added to the list automatically. You cannot manually add a new current sensor. In this list, you can view current readings (amperes) for all connected current sensors. By selecting a certain sensor, you can view or change its settings.



SETTINGS

< CURRENT SENSORS

SC500[0216835249]	-1.01 ^A
SCQ25[04377773054] 1	1.04 ^A
SCQ25[04377773054] 2	0.00 ^A
SCQ25[04377773054] 3	0.00 ^A
SCQ25[04377773054] 4	0.00 ^A

8.3.5.1 NAME

Here, you can view or edit the current sensor name.

8.3.5.2 RANGE

PICO shows the current sensor with a graphical representation (horizontal bar), together with the current numerical value. This value defines the maximum value (amps) for the horizontal bar.

8.3.5.3 REVERSE CURRENT

If you swap the wires on the shunts terminals, PICO will show the opposite value of the current. E.g., when discharging, PICO will show charge current and vice-versa. In such a situation, you can use this setting to reverse the current value. If you set this value to ON, PICO will reverse the measured value.

8.3.5.4 ADD CURRENT

There can be multiple current sensors (shunts) connected to a single battery. With this setting, you can define which currents must be added together to get the total current on a certain battery. Set this value to ON for all the shunts which should be added together to calculate the total current on the battery. Set this value to OFF for all the other shunts.

Example 1: One sensor may monitor the total current on the battery, and other sensors may be used to monitor certain consumers or generators. Set this value to



ON for the sensor which monitors the total current on the battery. Set this value to OFF for all the other sensors.

Example 2: Three shunts may be connected to the battery in parallel, to monitor the consumption in three different branches. To summarize the total current on the battery, the currents of all three shunts must be added together. In such scenario, set the value to ON for all three shunts.

8.3.5.5 BATTERY

Used to select the battery to which the sensor is connected.

8.3.5.6 DISPLAY SEPARATELY

By default, this option is turned off. If the option is on, the current value displayed on a separate screen dedicated to current values. Up to 12 current values can be displayed at the same time on one screen.

8.3.5.7 DISPLAY PRIORITY

This setting enables you to choose between the following displays priorities: HIGH, MEDIUM, LOW and HIDE.

Use the display priority for ordering the current sensors on PICO's screen. When current sensors are shown on the screen, those with HIGH display priority are shown first (at the top), followed by sensors with MEDIUM display priority. Sensors with LOW display priority are shown last (at the bottom). If you select HIDE, this sensor will not show up on the Batteries screen (it will hide).

8.3.5.8 DEVICE

Displays device name, serial number, and port. **Device name [serial number] port.**
Example: SC501[12345678] 1

8.3.5.9 MERGE WITH

The function allows you to combine two or more current sensors and add up currents together. Simply select from the list to which current sensor you want to connect the sensor.

Example: when using an SCQ25 module you can merge 2, 3 or all 4 shunts and consequently we have a 100A (4x25A) shunt.

It is possible to merge current sensors that are not on the same device.



8.3.6 VOLTMETERS

List of all voltmeter sensors connected to PICO. Connected voltmeters are added to the list automatically. You cannot manually add a new voltmeter. In this list, you can view current readings (voltages) for all connected voltmeters.

EN

SETTINGS

< VOLTMETERS

PICO INTERNAL	11.851 ^v
SC500 [0216735249]	12.428 ^v
ST107 [0167137256] U1	0.000 ^v
ST107 [0167137256] U2	0.000 ^v
ST107 [0167137256] U3	0.000 ^v

8.3.7 OHMMETERS

List of all ohmmeters connected to PICO. Connected ohmmeters are added to the list automatically. You cannot manually add a new ohmmeter. In this list, you can view current readings (resistance in ohms) for all connected ohmmeters.

8.3.8 COULOMB COUNTER

For each connected current sensor, a corresponding Coulomb counter will also appear on the devices list. Each Coulomb counter shows a total electric charge (in Ah, amp hours) that has transferred through this sensor until now. By selecting a certain Coulomb counter, you can manually reset the counter to zero.

8.4 WI-FI

This menu offers Wi-Fi settings for your PICO.

8.4.1 OPERATION

When set to ON, Wi-Fi module is enabled. Otherwise, it is disabled, and none configuration data is displayed.



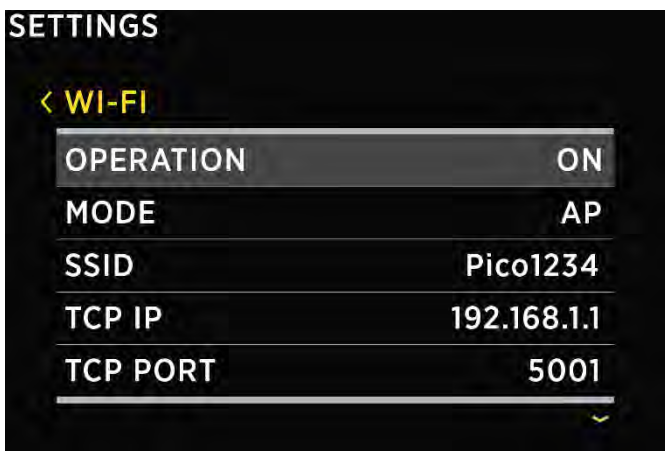
8.4.2 MODE

Pico supports AP mode which stands for the access point and STA mode for station mode.

EN

8.4.2.1 AP MODE

When in AP mode, PICO creates its wireless network. If you want to connect to PICO with your smartphone, please connect to the network whose name corresponds to SSID setting value. Wireless network password can be changed with PASSWORD setting. The default password is **pico<first four digits of the serial number>**. Example: if your PICO's serial number is 12345678, then the default Wi-Fi password is pico1234.



8.4.2.1.1 SSID

SSID stands for Service Set Identifier.

In AP Mode, it is the Wi-Fi network name that is created by PICO. Default SSID is **Pico<last four digits of the serial number>**.

Example: if your PICO's serial number is 12345678, then the default Wi-Fi SSID is Pico5678. You can change the SSID it.

You can find the serial number on the sticker on the back side of PICO or in the menu under SYSTEM → SYSTEM INFO.

8.4.2.1.2 TCP IP

Shows the default IP of PICO.



8.4.2.1.3 TCP PORT

Shows the default TCP port for communicating with PICO.

8.4.2.1.4 UDP IP

Shows the default IP to which UDP live data packets are sent.

8.4.2.1.5 UDP PORT

Shows the default UDP port for communicating with PICO.

8.4.2.1.6 PASSWORD

Default password: pico<first four digits of the serial number>

Example: if your PICO's serial number is 12345678, then the default Wi-Fi password is pico1234.

You can find the serial number on the sticker on the back side of PICO or in the menu under SYSTEM → SYSTEM INFO.

This is the default password, and you can change it.

You cannot see the current password on the menu, but you can change it by selecting the PASSWORD setting. Minimum password length is 8 characters.

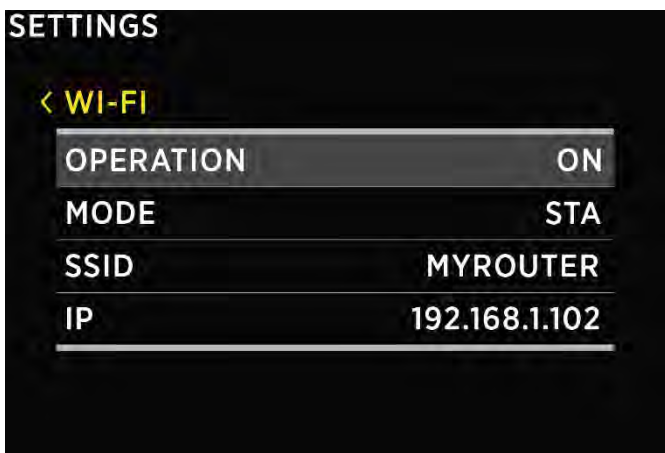
8.4.2.1.7 WI-FI RESET

Should you wish to reset the Wi-Fi settings to default values, you can do so by selecting this option. New (default) Wi-Fi SSID and password are displayed on the screen. Please memorize the SSID and password so that you will be able to connect to PICO after Wi-Fi reset.

8.4.2.2 STA MODE

When in STA mode, you can connect PICO to your local router and connect with your smartphone via a router. This mode enables more than one mobile app connecting to PICO at the same time. To set up STA mode take the following steps:

- Under MODE select STA mode.
- Under SSID find and select your router.
- Pico detects the security type, select password, and type in the WIFI password.
- After this select connect and wait for Pico to connect.



! If Pico can't find your router SSID, check if SSID broadcasting is enabled on your router.

! The Dynamic Host Configuration Protocol (DHCP) should be enabled on the router to assign an IP address dynamically.

8.4.2.2.1 SSID

SSID stands for Service Set Identifier and is the connected router name.

8.4.2.2.2 IP

PICO's IP address assigned by the router.

8.5 DATE & TIME

In this menu, you can set the time, date, and time zone manually, but we do not recommend to do it, because these values will be overridden by your smartphone settings each time you connect the phone to your PICO and start Pico application. The exact time is important for the proper functioning of the device, and hence it is synchronized with your phone on each connection.

However, time format and date format settings can be changed freely as your phone settings will not override these.



8.5.1 TIME

Set the current time. The value is overridden each time you connect the phone to your PICO and start Pico application.

8.5.2 DATE

Set the current date. The value is overridden each time you connect the phone to your PICO and start Pico application.

8.5.3 TIME ZONE

Set the current time-zone. This value is overridden each time you connect the phone to your PICO and start Pico application.

8.5.4 TIME FORMAT

You can choose your desired time format from the list.

8.5.5 DATE FORMAT

You can choose your desired date format from the list.

8.6 BAROGRAPH

8.6.1 ALTITUDE

Set the current PICO's altitude to calculate MSLP correctly – Mean Sea Level Pressure. The mean sea level pressure (MSLP) is the average atmospheric pressure at sea level. Atmospheric pressure is normally given in weather reports.

8.6.2 TIME INTERVAL

The time interval is the default interval used when plotting the graph of pressure (barograph).

8.7 SYSTEM

8.7.1 COMMUNICATION DEVICES

List of all the devices (modules) that are connected to the PICO, together with the bus communication quality (%).



8.7.2 SYSTEM INFO

Displays PICO's serial number, currently installed firmware version and free memory.

8.7.3 SYSTEM RESET

Deletes all the devices from PICO.

9 Mobile App

Your smartphone can remotely control PICO via Wi-Fi connection. Using the app, you can monitor current (live) data for the batteries, tanks, thermometers, and barograph. You can also change PICO settings on your smartphone, and easily upgrade PICO firmware to a new version when it becomes available.

Find your **PICO – Battery Monitor** app in your mobile store by scanning the QR code below or visiting below link for your app store.



<https://play.google.com/store/apps/details?id=net.simarine.pico>
<https://itunes.apple.com/us/app/pico-battery-monitor/id1217159039>

The **Android** application also includes a Widget which displays basic battery, tank and thermometer data. If you want to use the widget, you can add it to your home screen. To add a widget, find a blank space on your home screen, then touch it and hold until an option “Widgets” appears on the screen. Touch the “Widgets” option and then select **Simarine Pico Widget** from the list. Please note that the widget only updates the data every few minutes to save your phone's battery.



9.1 Save and restore settings

Using your mobile app, you can save your current PICO settings to your phone, and you can restore your saved settings from your phone to your PICO.

Save settings. To save settings, open your PICO mobile app and connect to your PICO. In the SETTINGS menu, choose SAVE / RESTORE SETTINGS → SAVE CURRENT SETTINGS. Name your settings and tap OK. Your settings are saved.

Restore settings. If you want to restore your PICO's settings, open your PICO mobile app and connect to your PICO. In the SETTINGS menu, choose SAVE / RESTORE SETTINGS → RESTORE SETTINGS. A list of saved settings will appear, together with a date and time when these settings saved. Select a desired record from the list and tap RESTORE. You will be asked to confirm your action. After pressing RESTORE once again, wait a few seconds for your settings to restore.

! You can restore to your previously saved settings if your PICO physical configuration has not been changed (no shunts or modules have been added or removed). If your PICO physical configuration has changed, you will not be able to restore to the settings that had been saved before the configuration has changed.

If you use the same PICO physical configuration (the same number of modules and shunts) on multiple boats, it is also possible to transfer the settings from one boat to another by using the same procedure.

The application also creates automatic backup of your previous settings when you modify your settings. These backups will also be shown on the list of available saved settings when you choose to restore settings.


9.2 Firmware Upgrade

To ensure the best PICO experience, we recommend upgrading PICO's firmware to the latest version. You can do this via **Simarine PICO – Battery Monitor smartphone application** available on your smartphone application market as described in chapter 9 - Mobile App.



! It is important to install the latest **Simarine PICO – Battery Monitor** application (or to update your installed application to the latest version) before proceeding with the firmware upgrade.

The upgrade process requires the following steps:

1. Install or update the **Simarine PICO – Battery Monitor** application on your smartphone.
2. Turn on Wi-Fi on your PICO.
3. Connect your smartphone to PICO via Wi-Fi.
4. Launch the **PICO – Battery Monitor** application on your smartphone and click LIVE VIEW.
5. Go to the settings menu and tap FIRMWARE UPGRADE. Confirm the upgrade in your App. The upgrade process will put PICO device in the upgrade mode.
6. Long press the  button on your PICO to confirm the firmware upgrade. The upgrade process can take a few minutes to complete.
7. After the upgrade, PICO reboots and is ready to use.

If there is no FIRMWARE UPGRADE option in the application menu (step 5), please make sure that you have updated your App to the latest version.



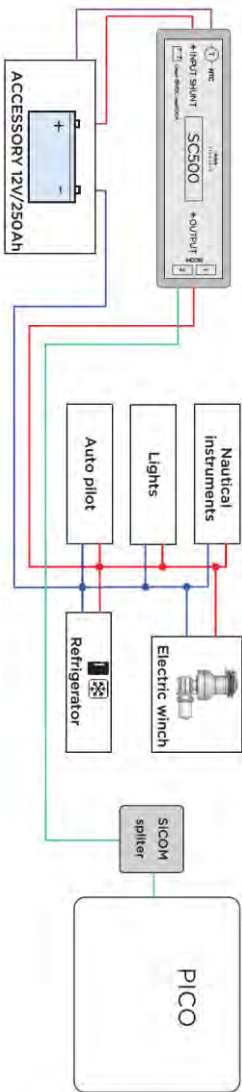
10 Technical Specifications

Operating	
Voltage range	6 – 35 V
Temperature range	-10 – +70 °C (+10 – +160 °F)
Power consumption at 12V	
Operating, Wi-Fi on, 100% illumination	90 mA
Operating, Wi-Fi off, 70% illumination	35 mA
Stand by, Wi-Fi off, 0% illumination	18 mA
Power off, logger still active	5 mA
Resolution	
Current	± 0.01 A
Voltage	± 0.01 V
Amp hours	± 0.1 Ah
State of charge (0 - 100%)	± 0.1 %
Temperature	± 0.1 °C/°F
Barometer	
Operating range	950 – 1080 hPa
WIFI	
Radio frequency bands	2.4 GHz
Dimensions (without connector)	
Standalone	98 x 84 x 10 mm 3.85 x 3.30 x 0.39 in
Panel	108.5 x 94 x 10 mm 4.27 x 3.70 x 0.39 in
Connectivity	
Batteries	Up to 6
Shunts	24
Temperature sensors	10
Tank level sensors	14
Inclinometer sensors	2
Smartphone application	1
Logger capacity	up to 3 months



11 APPENDIX

11.1 SC500

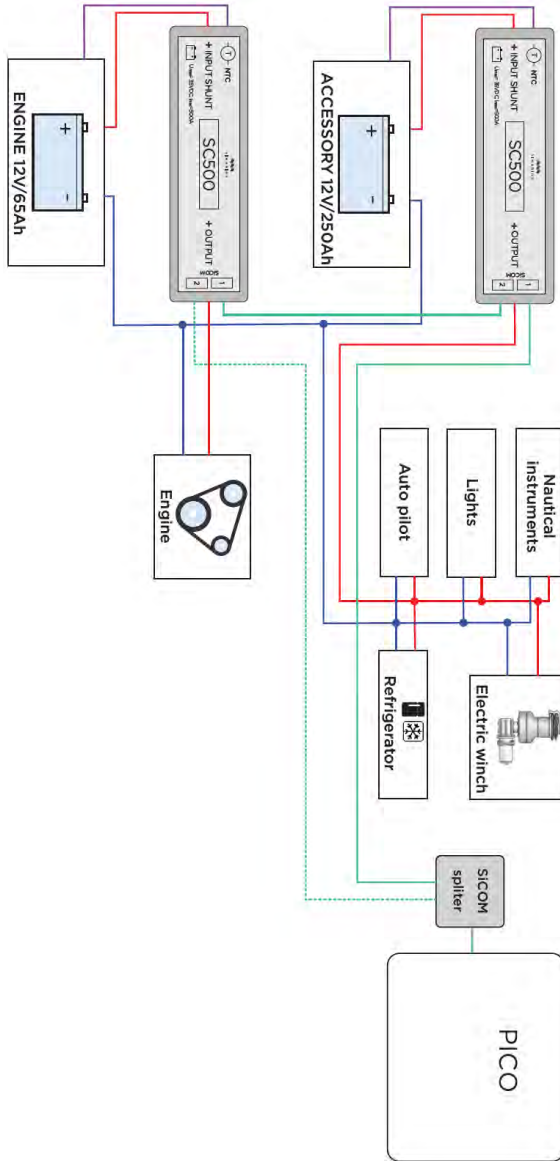




SIMARINE

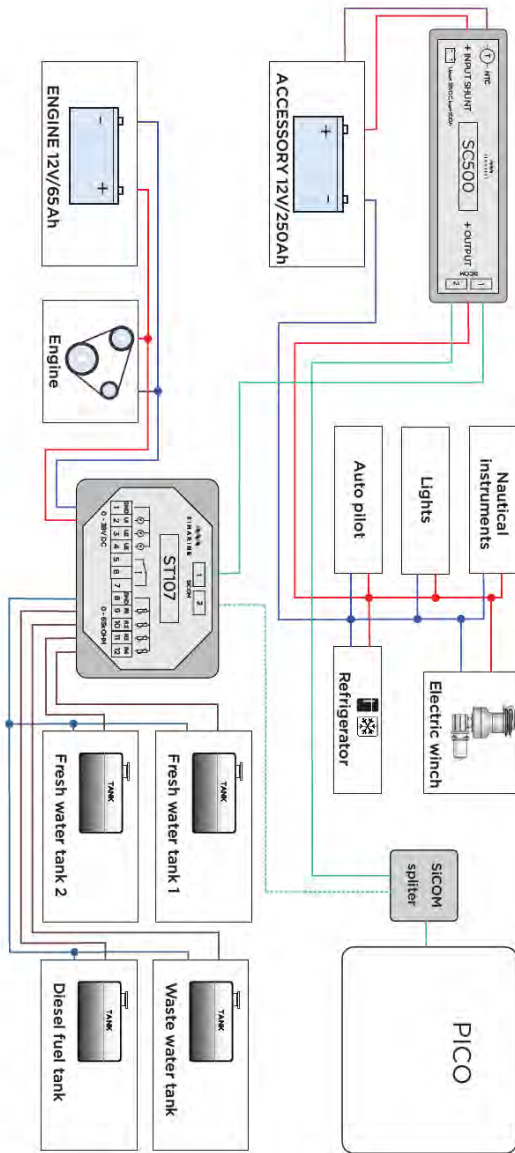
11.2 2x SC500

EN





11.3 SC500 AND ST107

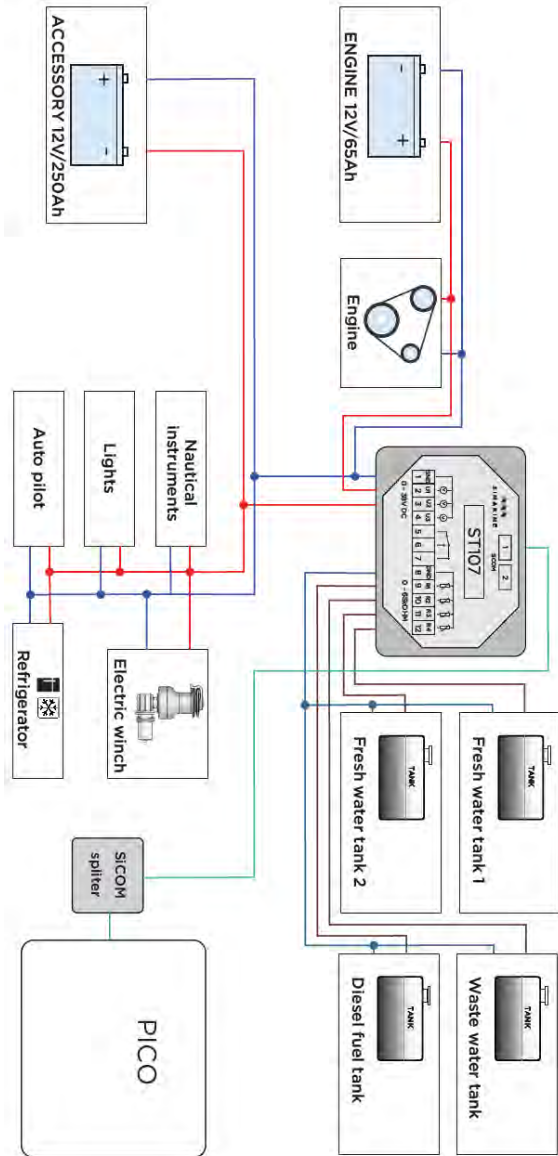




SIMARINE

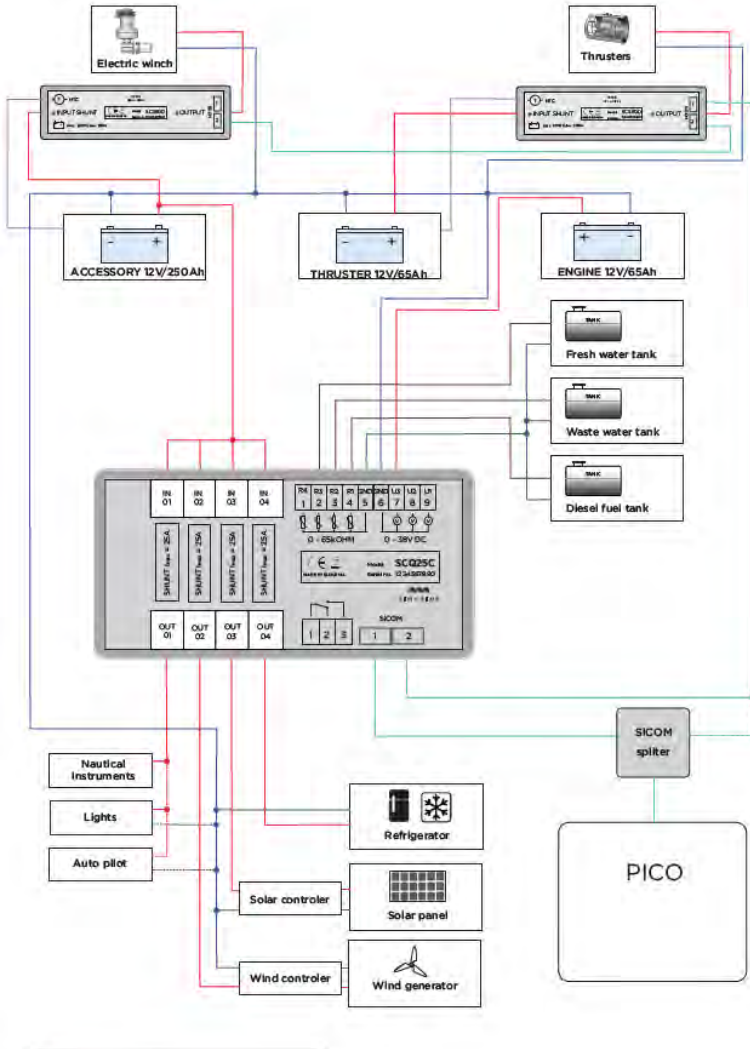
11.4 ST107

EN





11.5 SCQ25T



Note:

- +
- -
- data
- temperature
- alternative





Please visit
www.simarine.net/manuals
for most recent User Manuals.

© 2018 Simarine d.o.o. All rights reserved.

No part of this manual may be copied or reproduced without Simarine's written permission. Information in this manual is subject to change without notice.

Android is a trademark of Google LLC.

iPhone is a trademark of Apple Inc.

Gorilla is a trademark of Corning Inc.



Tabelleninhalt

1	Einleitung	55
2	Zubehör.....	55
3	Sicherheit	55
4	Konformitätserklärung	56
5	Einrichtung.....	56
5.1	PICO Einbau.....	56
5.1.1	PICO eigenständig.....	57
5.1.2	PICO Panelmontage	58
5.2	Verdrahtung.....	60
5.2.1	Hochleistungskabel.....	60
5.2.2	SiCOM Daten Kabel.....	60
5.2.3	Wie verbinden Sie ein SC301/SC302T/SC501 Shunt Modul	61
5.2.4	Wie verbinden Sie ein SCQ25 Quadro Digital Shunt Modul	61
5.2.5	Wie verbinden Sie ein SCQ25T Quadro Digital Shunt und Tank Modul	61
5.2.6	Wie verbinden Sie ein ST107 Tank Modul	61
6	Grundeinstellung	62
6.1	Startbildschirm nach der ersten Verbindung.....	63
6.2	Spracheinstellungen.....	63
6.3	Einheiten	63
6.4	Batteriekonfiguration.....	64
6.4.1	Neue Batterie hinzufügen.....	64
6.5	Tank Konfiguration.....	65
6.5.1	Neuen Tank hinzufügen.....	65
7	Anzeige von Batterie, Tank, Temperatur, Luftdruck, Neigungsmesser Messungen und Alarme.....	67



7.1	BATTERIENBILDSCHIRM	67
7.2	TANK BILDSCHIRM	68
7.3	TEMPERATURBILDSCHIRM	68
7.4	BAROGRAPH BILDSCHIRM.....	69
7.5	NEIGUNGSMESSER BILDSCHIRM	69
7.6	ALARM BILDSCHIRM	70
8	Gerätekonfiguration	71
8.1	ALLGEMEINE EINSTELLUNGEN	71
8.1.1	BILDSCHIRM	71
8.1.1.1	AUTO HELLIGKEIT	71
8.1.1.2	HELLIGKEIT	71
8.1.1.3	MIN. HELLIGKEIT	71
8.1.2	GERÄT	72
8.1.2.1	AUTO RUHEZUSTAND	72
8.1.2.2	RUHEZUSTAND NACH	72
8.1.2.3	SCHLAFBILDSCHIRM	72
8.1.3	SPRACHE	73
8.1.4	EINHEITEN.....	73
8.2	DATA	73
8.3	GERÄTE.....	73
8.3.1	BATTERIEN	74
8.3.1.1	NAME	74
8.3.1.2	TYP	74
8.3.1.3	KAPAZITÄT.....	75
8.3.1.4	VOLTMETER	75
8.3.1.5	AMMETERS	75
8.3.1.6	TEMPERATURSENSOREN.....	76



8.3.1.7	ERWEITERTE EINSTELLUNGEN	76
8.3.2	TANKS	76
8.3.2.1	NAME	76
8.3.2.2	TYP	76
8.3.2.3	SENSORTYP	76
8.3.2.4	SENSOR	77
8.3.2.5	KAPAZITÄT.....	77
8.3.2.6	KALIBRIERUNGSPUNKTE	77
8.3.2.7	ANZEIGE PRIORITÄT	78
8.3.2.8	LÖSCHEN	78
8.3.3	TEMPERATURSENSOREN	78
8.3.3.1	NAME	79
8.3.3.2	TYP	79
8.3.3.3	GERÄT.....	79
8.3.3.4	ANZEIGE PRIORITÄT	79
8.3.3.5	MINIMALWERT	80
8.3.3.6	MAXIMALWERT.....	80
8.3.3.7	KALIBRIERUNG	80
8.3.3.8	LÖSCHEN	80
8.3.4	NEIGUNGSMESSER.....	80
8.3.4.1	NAME	80
8.3.4.2	STIL.....	80
8.3.4.3	SENSOR	80
8.3.4.4	NICHTLINEAR.....	81
8.3.4.5	KALIBRIERUNG	81
8.3.4.6	ANZEIGE	81
8.3.4.7	UMKEHREN	81



8.3.4.8	LÖSCHEN	81
8.3.5	STROMSENSOREN	81
8.3.5.1	NAME	82
8.3.5.2	REICHWEITE	82
8.3.5.3	STROM UMKEHREN	82
8.3.5.4	STROM HINZUFÜGEN	82
8.3.5.5	BATTERIE	83
8.3.5.6	SEPARAT ANZEIGEN	83
8.3.5.7	ANZEIGE PRIORITÄT	83
8.3.5.8	VERBINDEN MIT	83
8.3.5.9	GERÄT	84
8.3.6	VOLTMETERS	84
8.3.7	OHMMETER	84
8.3.8	COULOMB ZÄHLER	84
8.4	WI-FI	85
8.4.1	FUNKTIONSWEISE	85
8.4.2	MODUS	85
8.4.2.1	AP MODUS	85
8.4.2.1.1	SSID	85
8.4.2.1.2	TCP IP	86
8.4.2.1.3	TCP PORT	86
8.4.2.1.4	UDP IP	86
8.4.2.1.5	UDP PORT	86
8.4.2.1.6	PASSWORT	86
8.4.2.1.7	WI-FI RESET	86
8.4.2.2	STA MODUS	86
8.4.2.2.1	SSID	87



- 8.4.2.2.2 IP.....87
- 8.5 DATUM & ZEIT.....87
 - 8.5.1 ZEIT88
 - 8.5.2 DATUM88
 - 8.5.3 ZEITZONE88
 - 8.5.4 ZEITFORMAT88
 - 8.5.5 DATUMSFORMAT88
- 8.6 BAROGRAPH.....88
 - 8.6.1 HÖHE.....88
 - 8.6.2 ZEITINTERVALL88
- 8.7 SYSTEM.....89
 - 8.7.1 KOMMUNIKATIONSGERÄTE89
 - 8.7.2 SYSTEMINFORMATIONEN.....89
 - 8.7.3 SYSTEM ZURÜCKSETZEN89
- 9 Mobile App89
 - 9.1 Speichern und Wiederherstellen von Einstellungen90
 - 9.2 Firmware Aktualisierung91
- 10 Technische Einzelheiten.....93
- 11 ANHANG94
 - 11.1 SC50094
 - 11.2 2x SC500.....95
 - 11.3 SC500 und ST107.....96
 - 11.4 ST107.....97
 - 11.5 SCQ25T98



1 Einleitung

Herzlichen Glückwunsch zum Kauf eines Simarine PICO Batteriemonitors. Simarine hat einen hochmodernen DC Batterie Monitor entwickelt.

Simarine PICO ist ein Wasser und staubdichtes Gerät zur Überwachung von Gleichstromquellen wie Batterien und Solarmodulen. Die Informationen werden auf einem großen 3,5" hochauflösenden IPS-Display mit Gorilla®-Glas und entspiegelter Beschichtung angezeigt, um eine bessere Sichtbarkeit zu gewährleisten.

PICO kann bis zu 6 Batterien, 14 Tanks, 14 Temperaturen und 20 unabhängige Stromsensoren (Shunts) überwachen.

PICOone kann bis zu 2 Batterien, 2 Tanks, 2 Temperaturen und 20 unabhängige Stromsensoren (Shunts) überwachen.

PICO und PICOone sind mit einem Wi-Fi-Modul ausgestattet, um mit der PICO Applikation auf Android™ und iPhone® Smartphone zu kommunizieren. Die Anwendung ermöglicht Zugriff auf Live Daten, Verlaufsdaten Analyse, PICO Konfiguration und Durchführung einer Firmware Aktualisierung auf dem PICO.

2 Zubehör

SC300 und SC301 Digitaler Shunt – Simarine Hochpräziser 300A Shunt

SC500 und SC501 Digitaler Shunt – Simarine Hochpräziser 500A Shunt

SC302T Digitaler Shunt – Simarine Hochpräziser 300A Shunt mit 2 Widerstandseingängen zur Tankfüllstandmessung und 2 Spannungseingängen zur Spannungsmessung von zwei Batterien.

SCQ25 Quadro Digitaler Shunt – Simarine Hochpräziser 4x25A Shunt

SCQ25T Quadro Digitaler Shunt und Tank Module – Simarine Hochpräziser 4x25A Shunt und Tank Module mit 4 Widerstands und 3 Spannungseingängen.

ST107 Digitaler Tank Module mit 4 Widerstands und 3 Spannungseingängen

3 Sicherheit

Installation der Simarine Elektronik sollte von Elektrofachkräften durchgeführt werden. Wenn Sie mit Batterien arbeiten, sollten Sie Schutzkleidung und Augenschutz tragen.



VORSICHT: Die Batterien enthalten Säure, eine korrosive, farblose Flüssigkeit, die Augen, Haut und Kleidung verbrennen wird. Falls Säure in Kontakt mit Augen, Haut oder Kleidung kommt, waschen Sie sie sofort mit Seife unter Süßwasser für mindestens 15 Minuten und sofort medizinische Unterstützung suchen.

VORSICHT: Schließen Sie NICHTS an eine beschädigte Batterie an. Sie könnte aufheizen, Feuer fangen oder explodieren.

VORSICHT: Blei-Säure-Batterien können während des Betriebs explosive Gase erzeugen. Rauchen Sie niemals in der Nähe der Batterie. Achten Sie darauf, dass eine ausreichende Belüftung um die Batterie gegeben ist.

VORSICHT: Beim Arbeiten mit einer Batterie alle persönlichen Metallgegenstände wie Uhren, Ringe, Halsketten und Armbänder entfernen. Wenn Metallgegenstände die Batterieklemmen berühren, kann der daraus resultierende Kurzschluss Gegenstände schmelzen und schwere Verbrennungen verursachen.

4 Konformitätserklärung



HERSTELLER: SIMARINE d.o.o.
ADRESSE: Ulica skofa Maksimilijana Drzecnika 6,
SI-2000 Maribor, Slovenia, EU
Declares that the following product:
PRODUKTTYP: PICO

Entspricht den Anforderungen der folgenden Richtlinien der Europäischen Union: EMC Directive 2014/30EU, RoHS Directive 2002/95/EC

Das oben genannte Produkt entspricht den folgenden harmonisierten Normen: EN61000-6-3: 2001 EMC - Generic Emissions Standard, EN61000-6-2: 2005 EMC - Generic Immunity Standard

5 Einrichtung

5.1 PICO Einbau

Simarine PICO sollte an einem sichtbaren Ort installiert werden, um eine gute Lesbarkeit zu gewährleisten. **Bitte beachten Sie, dass NUR der PICO/PICOone Gerät Wasser und staubdicht ist!** Alle anderen Module einschließlich Splitter



sollten in keinem Fall hoher Feuchtigkeit oder Flüssigkeiten ausgesetzt werden. Der Montageprozess und die Installationsausschnitte hängen vom Modell ab, wie in den folgenden Abschnitten beschrieben.

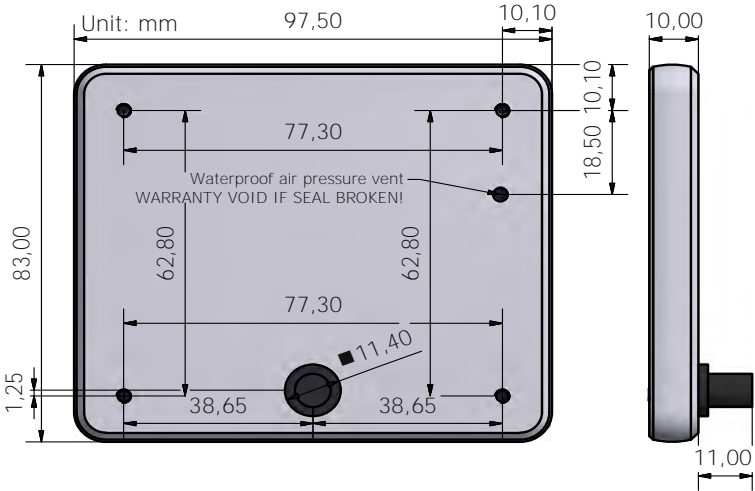
5.1.1 PICO eigenständig

Die eigenständige PICO Version hat Abmessungen von 98 x 84 x 10 mm und benötigt KEINEN Installationsausschnitt. Der Einbau erfordert das Bohren von 5 (PICOone) oder 6 (PICO) Befestigungslöchern und Zugang zur Rückseite der Montagefläche. Wenn Sie KEINEN Zugang von hinten haben, können Sie den PICO mit dem mitgelieferten doppelseitigen Klebeband ankleben.

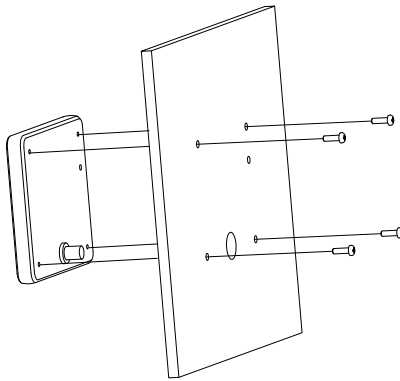
Schritte für einen ordnungsgemäßen Einbau:

Überprüfen Sie vor dem Bohren, ob genügend Platz für die Montage Ihres PICO vorhanden ist.

1. Markieren Sie die Montagelöcher mit der mitgelieferten Installationsvorlage.
2. Bohren Sie Alle Löcher.
3. Verbinden Sie den Stecker auf der Rückseite von PICO mit dem Splitterkabel (achten Sie darauf, die Pins richtig auszurichten) und befestigen Sie ihn, indem Sie den Sicherheitsring im Uhrzeigersinn drehen.
4. Montieren Sie PICO von der Rückseite mit den mitgelieferten Gewindestangen und Muttern. Schrauben, Stäbe und Muttern MÜSSEN von Hand befestigt werden. Übermäßige Kraft kann die Gewinde am PICO beschädigen.



DE



5.1.2 PICO Panelmontage

PICO Panel Mount Abmessungen betragen 108,5 x 94 x 10 mm (4,27 x 3,70 x 0,39 Zoll). PICO benötigt einen Installationsausschnitt von 98 x 83 mm. Er kann mit den mitgelieferten Gewindestangen und Halterungen montiert werden oder mit Klebstoff verklebt werden, wenn kein Zugang zur Rückseite der Montagefläche besteht.

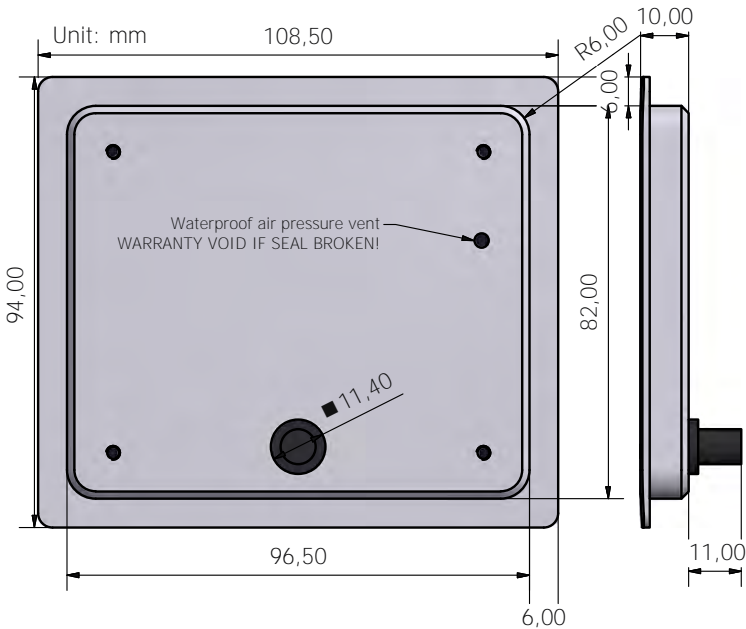


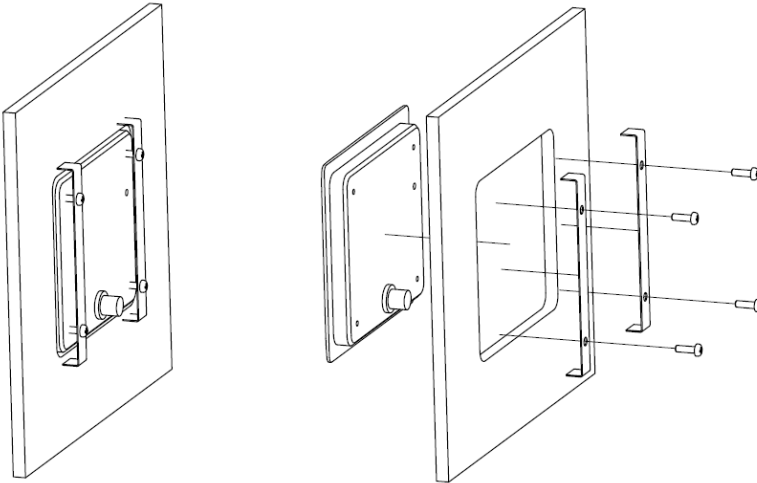
Schritte für einen ordnungsgemäßen Einbau:

Überprüfen Sie vor dem Ausschneiden, ob genügend Platz für die Montage Ihres PICO vorhanden ist.

DE

1. Markieren Sie die Ausschnittlinie mit der mitgelieferten Installationsvorlage.
2. Mit einer Säge den markierten Bereich vorsichtig ausschneiden.
3. Verbinden Sie den Stecker auf der Rückseite von PICO mit dem Splitterkabel (achten Sie darauf, die Pins richtig auszurichten) und befestigen Sie ihn, indem Sie den Sicherheitsring im Uhrzeigersinn drehen.
4. Montieren Sie PICO von der Rückseite mit den mitgelieferten Gewindestangen und Muttern. Schrauben, Stäbe und Muttern MÜSSEN von Hand befestigt werden. Übermäßige Kraft kann die Gewinde am PICO beschädigen.





5.2 Verdrahtung

5.2.1 Hochleistungskabel

Mindestquerschnitt Anforderung des Kabels bei einer Maximalen Temperatur der Isolierung: 70 °C (160 °F).

Dauerstrom	Querschnitt
500 A	220 mm ²
400 A	150 mm ²
300 A	95 mm ²
200 A	50 mm ²
100 A	25 mm ²

! Die Nichtbeachtung der erforderlichen Kabelquerschnitte kann den Shunt oder die Verdrahtung beschädigen, wie auch einen Brand verursachen.

5.2.2 SiCOM Daten Kabel

Für die SiCOM Verbindung benutzen sie die mitgelieferten Kabel. Wenn das nicht möglich ist bestimmen sie den Kabel typ, über die Folgende Tabelle.



Kabel Länge	Kabel typ
< 5m	Keine Beschränkungen
>= 5m	2 x 2 x 0.25 mm ² Twisted pair (empfohlen)

PICO ist mit dem SiCOM Datenbus, über den angeschlossenen Splitter verbunden, der als Eingang für andere Geräte dient und für die Strom Versorgung dient. Der Splitter muss an die Stromversorgung (6-35V) angeschlossen werden, mit dem rot/schwarzen Kabel. Es wird empfohlen, den Stromkabel hinter dem Hauptschalter anzuschließen, damit Sie das gesamte System ausschalten können, obwohl der Gesamtstromverbrauch des Systems sehr gering ist (normalerweise <100 mA im Normalbetrieb).

5.2.3 Wie verbinden Sie ein SC301/SC302T/SC501 Shunt Modul

- ! Sie finden das neueste SC301/SC302T/SC501 Digital Shunt Benutzerhandbuch unter diesem [link](#) (oder besuchen Sie unsere Webseite: <https://www.simarine.net/manuals/>).

5.2.4 Wie verbinden Sie ein SCQ25 Quadro Digital Shunt Modul

- ! Sie finden das neueste SCQ25 Quadro Digital Shunt Benutzerhandbuch unter diesem [link](#) (oder besuchen Sie unsere Webseite: <https://www.simarine.net/manuals/>).

5.2.5 Wie verbinden Sie ein SCQ25T Quadro Digital Shunt und Tank Modul


- ! Sie finden das neueste SCQ25T Quadro Digital Shunt und Tank Benutzerhandbuch unter diesem [link](#) (oder besuchen Sie unsere Webseite: <https://www.simarine.net/manuals/>).

5.2.6 Wie verbinden Sie ein ST107 Tank Modul

- ! Sie finden das neueste ST107 Tank Benutzerhandbuch unter diesem [link](#) (oder besuchen Sie unsere Webseite: <https://www.simarine.net/manuals/>).



6 Grundeinstellung

PICOs Menüführung ist transparent und einfach zu bedienen. Alle Änderungen können mit vier Touch Tasten unter dem Bildschirm vorgenommen werden. Die Menüs und Einstellungen in der Abbildung unten können von den Menüs und Einstellungen auf Ihrem Gerät abweichen, da zukünftige Firmware Upgrades kleinere Änderungen in den Menüs und Einstellungen verursachen können. Halten Sie die Taste  gedrückt, um das Einstellungsmenü aufzurufen.



A – Beschriftung zeigt die aktuelle Position im Menü an.

B – Momentan ausgewählter Gegenstand.

C – Pfeil deutet an, dass mindestens ein weiterer Menüeintrag in Pfeilrichtung vorhanden ist.

D – Pfeil deutet an, dass ein Untermenü vorhanden ist.

E – Pfeil deutet an, dass mindestens ein weiterer Menüeintrag in Pfeilrichtung vorhanden ist.

F – **ZÜRÜCK** Taste, wird verwendet, um eine Ebene zurück zu navigieren oder das Einstellungsmenü zu verlassen.

G – **NACH OBEN** Taste wird verwendet, um im Menü nach oben zu navigieren oder Werte zu ändern oder Bildschirme in der Live - Ansicht zu wechseln.

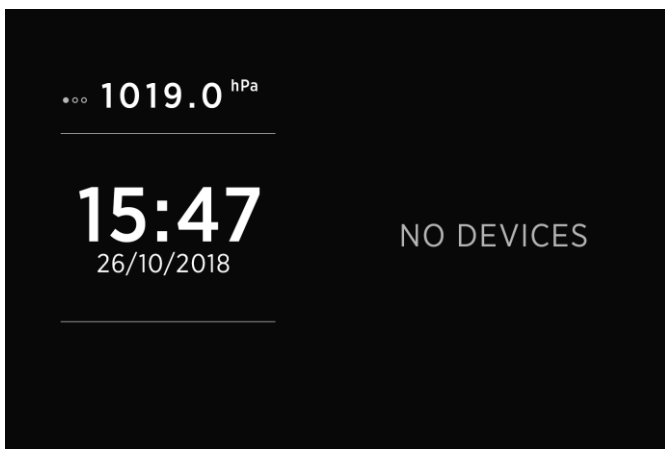



H – **NACH UNTEN** Taste wird verwendet, um im Menü nach unten zu navigieren oder Werte zu ändern oder Bildschirme in der Live-Ansicht zu wechseln.

I – **ENTER** Taste, langes Drücken aktiviert Einstellungen, kurzes Drücken bestätigt Änderungen oder öffnet das ausgewählte Untermenü.

6.1 Startbildschirm nach der ersten Verbindung

Nach der Installation und der ersten Verbindung, sollten Sie einen Bildschirm sehen ähnlich dem unten gezeigten.



Nach dem ersten Einschalten sind keine Batterien oder Tanks definiert. Bitte drücken Sie die  Taste, um das Einstellungs Menü zu öffnen.

6.2 Spracheinstellungen

Sie können die Sprache des Geräts ändern, indem Sie zu ALLGEMEINE EINSTELLUNGEN → SPRACHE navigieren. Sie können zwischen Englisch, Deutsch und Französisch wählen. Weitere Sprachen werden mit zukünftigen Firmware Upgrades hinzugefügt.

6.3 Einheiten

Sie können die Einheiten ändern, indem Sie zu ALLGEMEINE EINSTELLUNGEN → EINHEITEN navigieren. Dort können Sie Ihre bevorzugten Einheiten für Druck, Temperatur, Tankvolumen und Höhe auswählen.



6.4 Batteriekonfiguration

PICO zeigt alle ordnungsgemäß konfigurierten Batterien an. Jede korrekt konfigurierte Batterie wird automatisch auf dem PICO angezeigt. Im folgenden Abschnitt wird beschrieben, wie Sie eine Batterie auf PICO einrichten.

6.4.1 Neue Batterie hinzufügen

Die folgenden Schritte sind für die digitalen Shunts SC300, SC301, SC302T, SC500 und SC501 gleich.

Navigieren Sie im Einstellungsmenü zu GERÄTE → BATTERIEN.

Wählen Sie "Hinzufügen" und geben Sie die gewünschten Daten ein.

- Benennen Sie die Batterie/Batteriebank entsprechend (STARTER, SERVICE, HAUPT, usw.)
- Wählen Sie den Batterietyp (Wet wartungsarm, Wet wartungsfrei, AGM, Tiefzyklus, Gel, LiFePO4)
- Füllen Sie die Batteriekapazität für die nächsten C-Werte aus: C/20, C/10 und C/5. Wenn Sie nicht alle Werte kennen, geben Sie nur die Werte ein, die Sie kennen. Es wird dringend empfohlen, mindestens zwei C-Werte einzugeben (ein Wert ist für präzise Berechnungen nicht ausreichend). Eine "C" wert steht die Kapazität einer Batterie da (oder Ah/Amperestunde Wertung), wenn sie über einen bestimmten Zeitraum entladen wird. Der "C" wert, wird normalerweise auf dem Batterieetikett angegeben.
Für den korrekten Betrieb müssen unbekannte Werte als "Nicht eingestellt" gesetzt werden!
- Wählen Sie den Voltmeter, der an die Batterie angeschlossen ist. Sie können nur Voltmeter sehen, die nicht bereits von anderen Batteriekonfigurationen verwendet werden.



EINSTELLUNGEN	
< VOLTMETER	
PICO INTERNAL	11.851 ^v
SC500 [0216735249]	12.428 ^v
ST107 [0167137256] U1	0.000 ^v
ST107 [0167137256] U2	0.000 ^v
ST107 [0167137256] U3	0.000 ^v

- Wählen Sie den Stromsensor, der an die Batterie angeschlossen ist. Sie können nur Stromsensoren auswählen, die nicht bereit von einer vorhandenen Batteriekonfiguration verwendet werden. Bei einer Batteriekonfiguration ohne Shunt lassen Sie den Stromsensor leer.
- Wählen Sie einen Temperatursensor, wenn Sie einen installiert haben.
- Bestätigen und speichern Sie die Batteriekonfiguration mit der Taste.

Die neu hinzugefügte Batterie sollte nun auf einem der PICO Bildschirme sichtbar sein, sobald Sie das Einstellungsmenü verlassen.

6.5 Tank Konfiguration

PICO zeigt alle korrekt konfigurierten Tanks an. Jeder konfigurierte Tank wird automatisch auf PICO angezeigt.

Im folgenden Abschnitt ist beschrieben, wie Sie einen Tank auf dem PICO einrichten.

6.5.1 Neuen Tank hinzufügen

Die folgenden Schritte sind für SCQ25T/SC302T/ST107 Module gleich. Es ist erforderlich, das gewünschte Modul ordnungsgemäß zu installieren. Die Installation ist im entsprechenden Modulhandbuch beschrieben. Nach der erfolgreichen Installation des Moduls können Sie den Tank folgendermaßen konfigurieren:

Navigieren Sie im Einstellungsmenü zu GERÄTE → TANKS.



Wählen Sie "Hinzufügen" und geben Sie die gewünschten Daten ein.

- NAME - Benennen Sie den Tank entsprechend (FRISCHES WASSER, ABWASSER, KRAFTSTOFF 1 usw.)
- TYP - Wählen Sie den Tanktyp (WASSER, BRENNSTOFF, ABWASSER), der die Farbe des Tanks auf dem PICO-Bildschirm definiert.
- SENSORTYP - Wählen Sie den verwendeten Sensortyp (WIDERSTAND oder SPANNUNG)
- SENSOR - Wählen Sie den verwendeten Sensor aus der Liste.

DE

EINSTELLUNGEN	
< OHMMETER	
SC500 [0216835249]	10060
ST107 [0167137256] R1	65535
ST107 [0167137256] R2	65535
ST107 [0167137256] R3	65535
ST107 [0167137256] R4	404

- KAPAZITÄT - Geben Sie die volle Kapazität des Tanks ein.
- KALIBRIERPUNKTE - Fügen Sie Kalibrierungspunkte für verschiedene Tankfüllstände hinzu. Für eine korrekte Konfiguration sind mindestens zwei Kalibrierungspunkte erforderlich. Mehr Kalibrierungspunkte ermöglichen es PICO, den Tankfüllstand genauer anzuzeigen. Bis zu 11 Kalibrierungspunkte können hinzugefügt werden.
Für jeden Kalibrierungspunkt muss das Tankfüllvolumen (Liter oder Gallonen) und ein entsprechender Sensorwert (Widerstand oder Spannung) eingestellt werden.
- Bestätigen und speichern Sie die Tankkonfiguration mit der Taste.

Der neu hinzugefügte Tank sollte nun auf einem der PICO Bildschirme sichtbar sein, sobald Sie das Einstellungsmenü verlassen.



7 Anzeige von Batterie, Tank, Temperatur, Luftdruck, Neigungsmesser Messungen und Alarme

Sie können zwischen verschiedenen Bildschirmen wechseln, indem Sie die Aufwärts oder Abwärts Pfeiltaste drücken.

Für jede Batterie gibt es einen separaten Bildschirm mit mindestens einem angeschlossenen Stromsensor (Shunt).

Mehrere Batterien ohne Stromsensor (nur Messspannung) können auf einem Bildschirm zusammengefügt werden.

Bis zu vier Tanks und vier Thermometer sind ebenfalls auf einem Bildschirm vereint. Wenn es mehr gibt, sind sie in zwei (oder mehr) Bildschirme unterteilt.

Es gibt auch einen separaten Barograph-Bildschirm auf PICO (nicht auf PICOone).

7.1 BATTERIENBILDSCHIRM

Bildschirme zur Anzeige von Batteriedaten unterscheiden sich abhängig davon, wie viele Stromsensoren mit einer bestimmten Batterie verbunden sind.

Wenn die Batterie nur an einen Spannungssensor (ohne Stromsensor) angeschlossen ist, wird der Batterie Name, der ungefähre Ladezustand (SOC) und die aktuelle Spannung angezeigt. Die Berechnung des Ladezustands dauert einige Zeit, so dass er möglicherweise nicht sofort nach dem Einschalten angezeigt wird. Bis zu drei Batterien ohne Stromsensor können auf einem Bildschirm angezeigt werden. Wenn es mehr gibt, sind sie in zwei oder mehr Bildschirme unterteilt.

Wenn die Batterie an einen Spannungssensor und einen einzelnen Stromsensor (Shunt) angeschlossen ist, werden zusätzliche Daten angezeigt: Ladezeit/Entladungszeit und Stromstärke (Ampere). SOC kann genauer berechnet werden, wenn ein Stromsensor angeschlossen ist. Die Entladezeit wird berechnet, indem ein durchschnittlicher Verbrauch während einer bestimmten Zeitspanne verwendet wird.

Wenn mehr als ein Stromsensor (Shunt) an die Batterie angeschlossen ist (z. B. zur Überwachung verschiedener Verbraucher oder Generatoren, die an die Batterie



angeschlossen sind), werden ihre Daten (Ampere) ebenfalls auf der Batterieseite angezeigt.

! Der PICO-Algorithmus zum Berechnen des Ladezustands (SOC) ist kein einfacher Ah-Zähler.

Es überwacht ständig Batteriestrom, Spannung und Temperatur. Diese Daten werden mit dem internen Batteriemodell verglichen und seine Parameter werden ständig angepasst, so dass das Modell zu den tatsächlichen Daten passt.

Der Algorithmus braucht einige Zeit, um die Parameter anzupassen (Lernphase), und er wird die Genauigkeit während der ersten paar Zyklen verbessern.

7.2 TANK BILDSCHIRM

Der Tank Bildschirm zeigt das aktuelle Niveau der angeschlossenen und ordnungsgemäß konfigurierten Tanks an. Bis zu vier Tanks können auf einem einzigen Bildschirm angezeigt werden. Wenn es mehr gibt, sind sie in zwei oder mehr Bildschirme unterteilt.

Für jeden Tank wird der Name und aktuelle Füllstand grafisch wie auch numerisch in Prozent und als Volumeneinheit (Liter, Gallonen) dargestellt.

Abhängig von den ausgewählten Tanktypen werden die Tanks durch verschiedene Farben dargestellt.

Tank Reihenfolge, Farben, Namen, Kapazitäten und Kapazitätseinheiten können im Einstellungsmenü geändert werden.

Wenn der Tanksensor in den Tankeinstellungen nicht ausgewählt ist oder der Sensor vom PICO System getrennt ist, erscheint auf dem Bildschirm das "OFFLINE" Symbol. Wenn diese Situation eintritt, überprüfen Sie die Sensoreinstellung des Tanks. Wenn der Sensor ausgewählt ist, überprüfen Sie, ob alle Kabel richtig angeschlossen sind.

7.3 TEMPERATURBILDSCHIRM

Der Temperatur Bildschirm zeigt die aktuellen Temperaturen angeschlossener und ordnungsgemäß konfiguierter Temperatursensoren an. Bis zu vier



Temperatursensoren können auf einem Bildschirm angezeigt werden. Wenn es mehr gibt, sind sie in zwei oder mehr Bildschirme unterteilt.

Für jeden Temperatur Sensor wird der Name und die Aktuelle Temperatur grafisch wie auch numerisch in der gewählten Einheit (°C oder °F) dargestellt.


Thermometer Reihenfolge, Name, minimal und maximal Bereich wie auch Temperatureinheiten können im Einstellungs Menü geändert werden.

Wenn der Temperatursensor in den Temperatursensoreinstellungen nicht ausgewählt ist oder der Sensor vom PICO System getrennt ist, erscheint auf dem Bildschirm das "OFFLINE" Symbol. Wenn diese Situation eintritt, überprüfen Sie die Geräteeinstellung des Temperatursensors. Wenn der Sensor ausgewählt ist, überprüfen Sie, ob alle Kabel richtig angeschlossen sind.

7.4 BAROGRAPH BILDSCHIRM

Das Symbol links zeigt den aktuellen Luftdruckverlauf. Der Pfeil zeigt die Trendrichtung (aufsteigend oder abfallend). Wenn der Druck schnell ansteigt oder abfällt (1,0 mbar/h oder mehr), werden zwei Pfeile angezeigt.

Unterhalb des Trendsymbols zeigen zwei Werte den aktuellen Trend und den aktuellen Meeresspiegeldruck an.

Sie finden den Barograph auf der rechten Seite. Das Standardintervall für den Barographen kann im Einstellungs Menü (BAROGRAPH → TIME INTERVAL) geändert werden. Sie können jedoch auch manuell zwischen verschiedenen Zeitintervallen auf dem Barographen Bildschirm wechseln, indem Sie kurz auf die  Taste drücken.

! Der Barograph Bildschirm ist nur auf PICO verfügbar. PICOone hat keine Barograph Unterstützung.

7.5 NEIGUNGSMESSER BILDSCHIRM

Wenn ein Neigungsmesser installiert ist, zeigt der "Neigungs" Bildschirm die Nick und Rolldaten an.

Die Neigung wird auf der linken Seite des Bildschirms angezeigt. Die linke Seite der Linie stellt die Vorderseite des Fahrzeugs oder des Bootes (Bug) dar, während die rechte Seite der Linie die Rückseite des Fahrzeugs oder des Bootes (Heck) darstellt.



Der Neigungswinkel in Grad wird unterhalb der Linie angezeigt (positiver Wert bedeutet Vorderseite nach oben und umgekehrt).

Roll wird auf der rechten Seite des Bildschirms angezeigt. Die linke Seite der Linie repräsentiert die linke Seite des Fahrzeugs oder Bootes. Der Rollwinkel in Grad wird unterhalb der Linie angezeigt (positiver Wert bedeutet, dass die linke Seite nach oben zeigt und umgekehrt).

7.6 ALARM BILDSCHIRM

Wenn ein Alarm ausgelöst wird, wird dies auf PICO angezeigt (siehe Abbildung unten). Von dort aus können Sie den Alarmzustand steuern:

- **Ausblenden**, bedeutet, dass er ausgeblendet ist, aber immer noch im Hintergrund aktiv ist. Auch der Ausgang ist aktiv (wenn konfiguriert).
- **Schlummern** für 5 oder 30 Minuten, bedeutet, dass er für 5 oder 30 Minuten ausgeblendet ist und dann wieder angezeigt wird, wenn er noch aktiv ist. Der Ausgang ist aktiv (wenn konfiguriert).
- **Beenden**, wodurch der Alarm und Ausgang (wenn konfiguriert) für 24 Stunden ausgeschaltet werden.


Sind mehrere Alarme gleichzeitig aktiv, werden sie abwechselnd angezeigt.



Wenn mindestens ein Alarm aktiv ist. Dann wird ein Alarmeintrag oben in den Menüeinstellungen angezeigt. Von dort können alle aktuell aktiven Alarme angesehen werden.



8 Gerätekonfiguration

Sie können das Einstellungsmenü durch langes Drücken der  Taste aufrufen. Um durch das Menü zu navigieren, verwenden Sie die Pfeiltasten nach oben und nach unten. Um einen Menüpunkt auszuwählen, drücken Sie die Entertaste. Um eine Ebene zurück zu navigieren, verwenden Sie die Zurück Taste.

8.1 ALLGEMEINE EINSTELLUNGEN

Dieses Menü bietet Bildschirm, Sprache, Einheiten und Schlafeinstellungen.

8.1.1 BILDSCHIRM



8.1.1.1 AUTO HELLIGKEIT

Wenn die Auto Helligkeit aktiviert ist, wird mit Hilfe der internen Lichtsensoren, die PICO Bildschirmhelligkeit automatisch, an die Umgebungslichtbedingungen angepasst.

8.1.1.2 HELLIGKEIT

Dies ist die Helligkeitsstufe, die während des normalen Betriebs verwendet wird. Wenn AUTO HELLIGKEIT aktiviert ist, ist dies die maximale Helligkeitsstufe.

8.1.1.3 MIN. HELLIGKEIT

Min. Helligkeit hat zwei Funktionen.

1. Wenn PICO im Schlafmodus ist, ist die Beleuchtung auf min. Helligkeit eingestellt.
2. Wenn AUTO HELLIGKEIT aktiviert ist, definiert es die minimale Beleuchtung.



8.1.2 GERÄT



8.1.2.1 AUTO RUHEZUSTAND

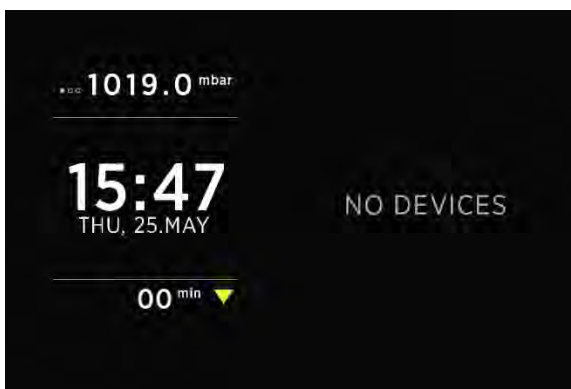
Wenn aktiviert, wechselt PICO in den Ruhezustand Modus nach der eingestellten RUHEZUSTAND NACH Zeit.

8.1.2.2 RUHEZUSTAND NACH

Zeit, nach der PICO in den Schlafmodus wechselt, wenn die Einstellung AUTO RUHEZUSTAND aktiviert ist.

8.1.2.3 SCHLAFBILDSCHIRM

Wenn der Ruhezustand Bildschirm aktiviert ist, zeigt PICO den Schlafmodus an, wenn er sich im Schlafmodus befindet.





8.1.3 SPRACHE

Sie können zwischen Englisch und Deutsch wählen. Weitere Sprachen werden mit zukünftigen Firmware Upgrades hinzugefügt.

8.1.4 EINHEITEN

Sie können verschiedene internationale Einheiten für Druck, Temperatur, Volumen und Höhe auswählen.

8.2 DATA

In diesem Menü können Sie Alarmer für bestimmte Messungen einrichten. Hier können Sie die Menge, das Gerät, den unteren oder oberen Werte für den Alarm auswählen und die Alarmer für den oberen/unteren Wert ein und ausschalten.

- **ALARM NIEDRIGER WERT**, der Alarm mit niedrigem Wert wird ausgelöst, wenn der gemessene Wert unter dem eingestellten Alarmwert liegt.
- **ALARM HOHER WERT**, der Hochalarm wird ausgelöst, wenn der gemessene Wert höher als der eingestellte Alarmwert ist.

Nachdem Sie ALARM NIEDRIGER WERT oder ALARM HOHER WERT ausgewählt haben, erscheinen die folgenden Alarmerinstellungen:

- **ALARM ZUSTAND**, dient zum Aktivieren oder Deaktivieren des Alarms.
- **ALARMWERT**, Grenzwert, der den Alarm auslöst.
- **STILLER ALARM**, wenn aktiviert, ertönt kein akustisches Signal, wenn der Alarm ausgelöst wird. Die Alarmwarnung erscheint nur auf dem PICO Bildschirm.
- **ALARM VERZÖGERUNG**, die Zeitverzögerung mit der der Alarm ausgelöst wird. Der Alarm wird nur ausgelöst, wenn der gemessene Wert während der Verzögerungszeit unter (für Alarm niedrig) oder über (für Alarm hoch) dem "Alarmwert" liegt.
- **ALARMDAUER**, die ausgewählte Alarm Dauer. Standardmäßig 5 Minuten.
- **AUSGANG**, der digitale Ausgang, der während des Alarms eingeschaltet wird.

8.3 GERÄTE

Hier können Sie alle Geräte verwalten, die mit Ihrem PICO verbunden sind. Wenn Sie ein neues Modul an Ihr PICO System anschließen (z. B. einen neuen Shunt), erscheinen automatisch einige neue Geräte in der Geräteliste (z. B. Stromsensoren,



Voltmeter, Ohmmeter usw.). Diese Geräte können automatisch erscheinen, weil sie in die Module integriert sind. Aber "sekundäre" Geräte - diejenigen, die mit den Modulen verbunden sind (BATTERIEN, TANKS, THERMOMETER und analoge INCLINOMETER) - werden nicht automatisch hinzugefügt. Wenn Sie eine neue Batterie, einen neuen Tank oder ein neues Thermometer anschließen, müssen Sie das neue Gerät manuell hinzufügen und im Menü GERÄTE konfigurieren.

Geräte sind in verschiedene Gerätetypen gruppiert. Um ein bestimmtes Gerät anzuzeigen, zu verwalten, hinzuzufügen oder zu löschen, wählen Sie bitte den entsprechenden Gerätetyp aus der Liste aus (z. B. BATTERIEN, TANKS ...).

8.3.1 BATTERIEN

Dies ist die Liste der Batterien, die Sie Ihrem PICO hinzugefügt haben. Wenn Sie eine bestimmte Batterie auswählen, können Sie deren Einstellungen anzeigen, ändern oder bei Bedarf löschen. Um eine neue Batterie hinzuzufügen wählen Sie "HINZUFÜGEN" auswählen, können Sie eine neue Batterie hinzufügen.

! Nach dem Hinzufügen einer neuen Batterie oder dem Ändern der Einstellungen einer vorhandenen Batterie benötigt der Algorithmus zur Berechnung des Ladezustands (SOC) einige Zeit, um die Parameter seines Batteriemodells anzupassen (Lernphase).
Es verbessert die Genauigkeit während der ersten paar Zyklen.

8.3.1.1 NAME

Hier können Sie den Batterie Namen anzeigen oder ändern.

8.3.1.2 TYP

Hier können Sie den Batterietyp anzeigen oder ändern. Die folgenden Typen werden unterstützt:

- NASS WARTUNGSARM
- NASS WARTUNGSFREI
- AGM
- TIEFZYKLUS
- GEL
- LiFePO4



8.3.1.3 KAPAZITÄT

Die nominale Batteriekapazität für die nächsten C-Werte: C/20, C/10 und C/5. Wenn Sie nicht alle Werte kennen, geben Sie nur die Werte ein, die Sie kennen. Es wird dringend empfohlen, mindestens zwei C-Werte zu füllen (ein ist für präzise Berechnungen nicht ausreichend). Eine "C" -Bewertung ist einfach die Kapazität einer Batterie (oder Ah/Amperestunde), wenn sie über einen bestimmten Zeitraum entladen wird. Die Bewertung "C" wird normalerweise auf dem Batterietikett oder auf dem Batteriedatenblatt angegeben.

DE

! Für einen korrekten Betrieb müssen unbekannte Werte als NICHT EINGESTELLT gesetzt werden!

8.3.1.4 VOLTMETER

Liste aller Voltmeter die an eine Batterie angeschlossen sind. Sie können nur Voltmeter sehen, die nicht bereits von anderen Batteriekonfigurationen verwendet werden.

EINSTELLUNGEN	
< VOLTMETER	
PICO INTERNAL	11.851 ^v
SC500 [0216735249]	12.428 ^v
ST107 [0167137256] U1	0.000 ^v
ST107 [0167137256] U2	0.000 ^v
ST107 [0167137256] U3	0.000 ^v

8.3.1.5 AMMETERS

Liste aller Stromsensoren (Shunts), die an eine Batterie angeschlossen sind. Sie können nur Stromsensoren auswählen, die nicht bereits von der Konfiguration eines anderen Geräts verwendet werden.

! Bei einer Batteriekonfiguration ohne Shunt lassen Sie den Stromsensor leer.



8.3.1.6 TEMPERATURSENSOREN

Liste aller Temperatursensoren im SiCOM Netz. Sie können nur Sensoren auswählen, die nicht bereits von anderen Gerätekonfigurationen verwendet werden.

8.3.1.7 ERWEITERTE EINSTELLUNGEN

Fortgeschrittene Benutzer können zusätzliche Batterieeinstellungen anpassen, um die Batteriedatenanzeige anzupassen. Diese Einstellungen müssen nicht geändert werden. Die Standardeinstellungen sollten für die meisten Benutzer geeignet sein.

- **TTG AVG** – Durchschnittsintervall für die Berechnung von TTG (time-to-go). "Kurz" bedeutet, dass TTG schneller auf die Stromänderung reagiert, und "Sehr lang" bedeutet, dass TTG langsamer auf die Stromänderung reagiert.
- **TTG SOC MIN** – Ziel-Ladezustand (%) für die Restlaufzeitberechnung während der Batterieentladung. TTG zeigt die Zeit an, wenn die Batterie den voreingestellten TTG SOC Wert erreicht.
- **CEF** – Ladeeffizienz (%).
- **DISPLAY TYPE** – Der Anzeigentyp "Detailliert" zeigt auch den Amperestundenzähler auf dem Bildschirm "Batterien" an.

8.3.2 TANKS

Liste aller Tanks, die Sie Ihrem PICO hinzugefügt haben. Wenn Sie einen bestimmten Tank auswählen, können Sie dessen Einstellungen anzeigen, ändern, und bei Bedarf löschen. Wenn Sie "Neu hinzufügen" auswählen, können Sie einen neuen Tank hinzufügen.

8.3.2.1 NAME

Hier können Sie den Tanknamen anzeigen oder ändern.

8.3.2.2 TYP

Hier können Sie den Tanktyp anzeigen oder ändern. Sie können zwischen WASSER, KRAFTSTOFF und ABWASSER wählen. Der Tanktyp wird nur für die Farbdarstellung des Tanks auf dem PICO Bildschirm verwendet. Jeder Tanktyp hat eine andere Farbe.

8.3.2.3 SENSORTYP

Den Sensortyp auswählen oder ändern, der zur Messung des Tankfüllstands verwendet wird. Sie können zwischen WIDERSTAND und SPANNUNG typ wählen.



8.3.2.4 SENSOR

Spannungs oder Widerstands Sensor, der zur Messung des Tankfüllstands verwendet wird. Hier können Sie den entsprechenden Sensor anzeigen oder auswählen. Sie können nur Sensoren auswählen, die nicht bereits von anderen Gerätekonfigurationen verwendet werden.

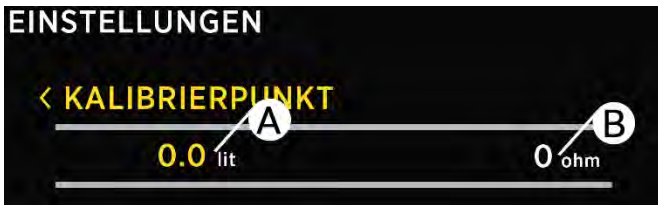
DE

8.3.2.5 KAPAZITÄT

Wird verwendet, um die volle Kapazität des Tanks einzurichten.

8.3.2.6 KALIBRIERUNGSPUNKTE



Liste aller Kalibrierungspunkte für den jeweils ausgewählten Tank. Sie können neue Kalibrierungspunkte hinzufügen oder vorhandene entfernen. Wenn Sie einen neuen Tank hinzufügen, müssen für eine ordnungsgemäße Konfiguration mindestens zwei Kalibrierungspunkte hinzugefügt werden. Mehr Kalibrierungspunkte ermöglichen es PICO, den Tankfüllstand genauer anzuzeigen. Bis zu 11 Kalibrierungspunkte können hinzugefügt werden.



A - **Füllvolumen** eines Tanks [Liter/Galonen]

B – **Sensorwert**, Widerstand [Ohm]/Spannung [Volt]

Um einen neuen Kalibrierungspunkt hinzufügen:

- Wählen Sie KALIBRIERPUNKTE → Neu hinzufügen
- Zwei Werte erscheinen auf dem Bildschirm. Der Wert links zeigt das Tankfüllvolumen und der Wert rechts den entsprechenden Sensorwert (Widerstand in Ohm oder Spannung). Drücken Sie , um einen Tankfüllstand einzustellen. Der linke Wert wird gelb.
- Geben Sie mit den Pfeiltasten einen gewünschten Tankfüllstand in Liter oder Gallonen ein. Drücken Sie , um den Wert zu bestätigen.
- Jetzt wird der rechte Wert (Widerstand oder Spannung) gelb. Es erscheint ein Menü, in dem Sie auswählen zwischen:



- MESSWERT: verwende den aktuell gemessenen Wert vom gewählten Sensor (Widerstand oder Spannung)
- EINGANGSWERT: Wenn Sie diesen Punkt auswählen, können Sie manuell den gewünschten Wert eingeben (Widerstand oder Spannung)
- LÖSCHEN: Wenn Sie diese Option auswählen, wird der Kalibrierungspunkt gelöscht

8.3.2.7 ANZEIGE PRIORITÄT

Mit dieser Einstellung können Sie zwischen den folgenden Anzeigeprioritäten wählen: HOCH, MITTEL, NIEDRIG und VERBERGEN.

Die Anzeigepriorität wird für die Anordnung der Tanks auf dem PICO Bildschirm verwendet. Wenn Tanks auf dem Bildschirm angezeigt werden, werden diejenigen mit der Priorität HOCH zuerst angezeigt (ganz links), gefolgt von Tanks mit der Priorität MITTEL. Tanks mit NIEDRIGER Anzeigepriorität werden zuletzt angezeigt. Wenn Sie VERBERGEN auswählen, wird der Level dieses Tanks nicht auf dem Tank-Bildschirm angezeigt (er wird versteckt).

8.3.2.8 LÖSCHEN

Mit dieser Option können Sie den ausgewählten Tank löschen.

8.3.3 TEMPERATURSENSOREN

Liste aller Temperatursensoren, die Sie Ihrem PICO hinzugefügt haben. Wenn Sie einen bestimmten Sensor auswählen, können Sie dessen Einstellungen anzeigen oder ändern, und bei Bedarf löschen. Wenn Sie "Neu hinzufügen" auswählen, können Sie einen neuen Temperatursensor hinzufügen.



8.3.3.1 NAME

Hier können Sie den Namen des Temperatursensors anzeigen oder bearbeiten.

8.3.3.2 TYP

Hier können Sie den Temperatursensortyp anzeigen oder ändern. Zwei Typen werden unterstützt: NTC 10K und NTC 5. Dies sind 10kOhm und 5kOhm Thermistoren mit einem negativen Temperaturkoeffizienten.

8.3.3.3 GERÄT

Das Gerät und der Eingang, mit dem der Sensor verbunden ist. Beispiel: Wenn der Sensor an das ST107-Modul und seinen Eingang R1 angeschlossen ist, wählen Sie die Option **ST107 [Seriennummer] R1**.

8.3.3.4 ANZEIGE PRIORITÄT

Mit dieser Einstellung können Sie zwischen den folgenden Anzeigeprioritäten wählen: HOCH, MITTEL, NIEDRIG und VERBERGEN.

Die Anzeigepriorität wird für die Anordnung der Thermometer auf dem PICO Bildschirm verwendet. Wenn Thermometer auf dem Bildschirm angezeigt werden, werden diejenigen mit der Priorität HOCH zuerst angezeigt (ganz links), gefolgt von den Thermometern mit der Priorität MITTEL. Thermometer mit NIEDRIGER Anzeigepriorität werden zuletzt angezeigt. Wenn Sie VERBERGEN wählen, wird der Thermometer nicht auf dem Bildschirm Temperaturen angezeigt (es wird verbergt).



8.3.3.5 MINIMALWERT

PICO zeigt Thermometer mit einer grafischen Darstellung (senkrechter Balken) zusammen mit dem aktuellen Zahlenwert. Diese Option definiert den Minimalwert (Temperatur) des Thermometerbalkens.

8.3.3.6 MAXIMALWERT

PICO zeigt Thermometer mit einer grafischen Darstellung (senkrechter Balken) zusammen mit dem aktuellen Zahlenwert. Diese Option definiert den maximalen Wert (Temperatur) des Thermometerbalkens.

8.3.3.7 KALIBRIERUNG

Mit dieser Einstellung können Sie den Sensorwert kalibrieren. Wenn der angezeigte Wert zu hoch ist, können Sie einen negativen Kalibrierungswert (Ausgleich) verwenden. Wenn der angezeigte Wert zu niedrig ist, können Sie einen positiven Kalibrierungswert (Ausgleich) verwenden.

8.3.3.8 LÖSCHEN

Mit dieser Option können Sie den ausgewählten Temperatursensor löschen.

8.3.4 NEIGUNGSMESSER

Liste aller Neigungssensoren, die Sie zu Ihrem PICO hinzugefügt sind. Wenn Sie einen bestimmten Sensor auswählen, können Sie dessen Einstellungen anzeigen oder ändern, bei Bedarf auch löschen. Wenn Sie "Neu hinzufügen" auswählen, können Sie einen neuen analogen Sensor mit Spannungsausgang hinzufügen.

8.3.4.1 NAME

Hier können Sie den Neigungssensor-Namen auf "Pitch" oder "Roll" einstellen.

8.3.4.2 STIL

Sie können zwischen verschiedenen grafischen Darstellungen des Neigungsmessers auf der mobilen App wählen: Linie, Wohnwagen oder Wohnmobil. Beachten Sie, dass diese Einstellung nur in der mobilen App verfügbar ist.

8.3.4.3 SENSOR

Der analoge (Spannungs) Eingang, an den der analoge Sensor angeschlossen ist.



8.3.4.4 NICHTLINEAR

Sie können eine nichtlineare Darstellung des Winkels aktivieren oder deaktivieren. Wenn die nichtlineare Einstellung deaktiviert ist, wird die Linie auf dem Bildschirm genau im (tatsächlichen) Neigungs oder Rollwinkel aufgetragen. Da es schwierig sein kann, kleine Winkel zu unterscheiden, können Sie die nichtlineare Darstellung des Winkels aktivieren. In diesem Modus ist die Linie in einem größeren Winkel aufgetragen, wenn der wahre Nick oder Rollwinkel klein ist. Während es in diesem Modus viel einfacher ist, kleine Winkel und kleine Änderungen zu beobachten, repräsentiert der Winkel der Linie nicht den wahren Winkel (er ist übertrieben).

8.3.4.5 KALIBRIERUNG

Dient zur Kalibrierung des analogen Sensors. Sie können die Spannung für Nullpunkt (Winkel 0°) und Schritt (Millivolt pro Grad) einstellen.

8.3.4.6 ANZEIGE

Mit dieser Einstellung können Sie den Neigungsmesser auf dem PICO Bildschirm ein oder ausblenden.

8.3.4.7 UMKEHREN

Wenn der Neigungsmesser den inversen Wert für den Neigungs oder Rollwinkel anzeigt (z. B. links statt rechts), können Sie diese Option aktivieren, um die Anzeige umzukehren.

8.3.4.8 LÖSCHEN

Mit dieser Option können Sie den ausgewählten Neigungssensor löschen.

8.3.5 STROMSENSOREN

Liste aller aktuellen Sensoren (Shunts). Angeschlossene Stromsensoren werden automatisch zur Liste hinzugefügt. Sie können keinen neuen Stromsensor manuell hinzufügen. In dieser Liste können Sie die aktuellen Messwerte (Ampere) für alle angeschlossenen Stromsensoren anzeigen.

Wenn Sie einen bestimmten Sensor auswählen, können Sie dessen Einstellungen anzeigen oder ändern.



EINSTELLUNGEN

< STROMSENSOREN

SC500[0216835249]	-1.01 ^A
SCQ25[04377773054] 1	1.04 ^A
SCQ25[04377773054] 2	0.00 ^A
SCQ25[04377773054] 3	0.00 ^A
SCQ25[04377773054] 4	0.00 ^A

8.3.5.1 NAME

Hier können Sie den aktuellen Sensornamen anzeigen oder ändern.

8.3.5.2 REICHWEITE

PICO zeigt den aktuellen Sensor mit einer grafischen Darstellung (horizontaler Balken) zusammen mit dem aktuellen Zahlenwert. Dieser Wert definiert den Maximalwert (Ampere) für den horizontalen Balken.

8.3.5.3 STROM UMKEHREN

Wenn Sie die Drähte an den Shunts austauschen, zeigt PICO den entgegengesetzten Stromwert an. Z.B. Beim Entladen zeigt PICO Ladestrom und umgekehrt. In einer solchen Situation können Sie diese Einstellung verwenden, um den aktuellen Wert umzukehren. Wenn Sie diesen Wert auf ON setzen, kehrt PICO den gemessenen Wert um.

8.3.5.4 STROM HINZUFÜGEN

Es können mehrere Stromsensoren (Shunts) mit einer einzigen Batterie verbunden sein. Mit dieser Einstellung können Sie festlegen, welche Ströme addiert werden müssen, um den Gesamtstrom einer bestimmten Batterie zu erhalten. Stellen Sie diesen Wert für alle Shunts ein, die addiert werden sollten, um den Gesamtstrom an der Batterie zu berechnen. Setzen Sie diesen Wert für alle anderen Shunts auf OFF.



Beispiel 1: Ein Sensor kann den Gesamtstrom der Batterie überwachen und andere Sensoren können zur Überwachung bestimmter Verbraucher oder Generatoren verwendet werden. Stellen Sie diesen Wert für den Sensor ON, der den Gesamtstrom an der Batterie überwacht. Stellen Sie diesen Wert für alle anderen Sensoren auf OFF.

Beispiel 2: Drei Shunts können parallel an die Batterie angeschlossen werden, um den Verbrauch in drei verschiedenen Zweigen zu überwachen. Um den Gesamtstrom an der Batterie zu berechnen, müssen die Ströme aller drei Shunts addiert werden. Legen Sie in einem solchen Szenario den Wert für alle drei Shunts auf ON fest.

8.3.5.5 BATTERIE

Wird verwendet, um die Batterie auszuwählen, mit der der Sensor verbunden ist.

8.3.5.6 SEPARAT ANZEIGEN

Standardmäßig ist diese Option deaktiviert. Wenn die Option aktiviert ist, wird der aktuelle Strom Wert auf einem separaten Bildschirm angezeigt der nur Strom werten gewidmet ist. Bis zu 12 Strom Werte können gleichzeitig auf einem Bildschirm angezeigt werden.

8.3.5.7 ANZEIGE PRIORITÄT

Mit dieser Einstellung können Sie zwischen den folgenden Anzeigeprioritäten wählen: HOCH, MITTEL, NIEDRIG und VERBERGEN.

Die Anzeigepriorität wird für die Anordnung der Stromsensoren auf dem PICO Bildschirm verwendet. Wenn Sensoren auf dem Bildschirm angezeigt werden, werden zuerst die Angezeigt mit der Priorität HOCH, gefolgt von den Sensoren mit der Priorität MITTEL. Sensoren mit NIEDRIGER Anzeigepriorität werden zuletzt (unten) angezeigt. Wenn Sie VERBERGEN auswählen, wird dieser Sensor nicht auf dem Bildschirm "Batterien" angezeigt (er wird ausgeblendet).

8.3.5.8 VERBINDEN MIT

Mit dieser Funktion können Sie zwei oder mehr Stromsensoren kombinieren und Ströme addieren. Wählen Sie einfach aus der Liste, zu welchem Stromsensor Sie den aktuellen Sensor anschließen möchten.

Beispiel: Wenn Sie ein SCQ25 Modul verwenden, können Sie 2, 3 oder alle 4 Shunts verbinden und haben somit einen 100A (4x25A) Shunt.

Es ist möglich, Stromsensoren an verschiedenen geraten zu verbinden.



8.3.5.9 GERÄT

Zeigt den Gerätenamen, die Seriennummer und den Port an. **Gerätename** [Seriennummer] **Port**. Beispiel: SC501 [12345678] 1

8.3.6 VOLTMETERS

Liste aller an PICO angeschlossenen Voltmetersensoren. Angeschlossene Voltmeter werden automatisch zur Liste hinzugefügt. Sie können ein neuen Voltmeter nicht manuell hinzufügen. In dieser Liste können Sie die aktuellen Messwerte (Spannungen) für alle angeschlossenen Voltmeter anzeigen.

EINSTELLUNGEN

< VOLTMETER

PICO INTERNAL	11.851 ^v
SC500 [0216735249]	12.428 ^v
ST107 [0167137256] U1	0.000 ^v
ST107 [0167137256] U2	0.000 ^v
ST107 [0167137256] U3	0.000 ^v

8.3.7 OHMMETER

Liste aller an PICO angeschlossenen Ohmmeter. Angeschlossene Ohmmeter werden automatisch zur Liste hinzugefügt. Sie können keine neuen Ohmmeter manuell hinzufügen. In dieser Liste können Sie die aktuellen Messwerte (Widerstand in Ohm) für alle angeschlossenen Ohmmeter anzeigen.

8.3.8 COULOMB ZÄHLER

Für jeden angeschlossenen Stromsensor erscheint außerdem ein entsprechender Coulomb Zähler in der Geräteliste. Jeder Coulomb Zähler zeigt die gesamte elektrische Ladung (in Ah, Amperestunden) an, die bisher durch diesen Sensor übertragen wurde. Durch Auswahl eines bestimmten Coulomb Zählers können Sie den Zähler manuell auf null zurücksetzen.



8.4 WI-FI

Dieses Menü bietet WLAN Einstellungen für Ihren PICO.

8.4.1 FUNKTIONSWEISE

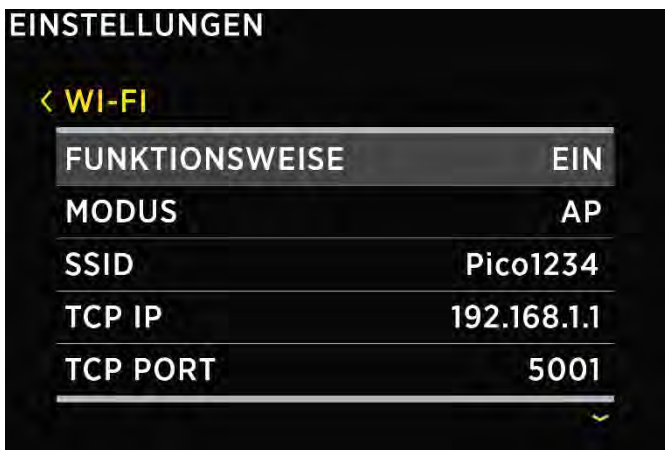
Bei Einstellung auf EIN ist das Wi-Fi-Modul aktiviert. Ansonsten ist es deaktiviert und es werden keine Konfigurationsdaten angezeigt.

8.4.2 MODUS

PICO unterstützt den AP Modus (Zugangspunkt) und den STA Modus (Stationsmodus).

8.4.2.1 AP MODUS

Im AP-Modus erstellt PICO ein eigenes drahtloses Netzwerk. Wenn Sie mit Ihrem Smartphone eine Verbindung zu PICO herstellen möchten, stellen Sie eine Verbindung mit dem Netzwerk her, dessen Name dem SSID Einstellwert entspricht. Das WLAN-Passwort kann mit der PASSWORD-Einstellung geändert werden. Das Standardpasswort ist **pico<die ersten vier Ziffern der Seriennummer>**. Beispiel: Wenn die Seriennummer Ihres PICO 12345678 lautet, lautet das Standard WLAN Passwort pico1234.



8.4.2.1.1 SSID

SSID bedeutet Service Set Identifier. Dies ist der Name des Wi-Fi Netzwerks, das von PICO erstellt wird. Standard SSID ist **Pico<die letzten vier Ziffern der Seriennummer>**



Beispiel: Wenn die Seriennummer Ihres PICO 12345678 lautet, lautet die Standard-WLAN SSID Pico5678.

Sie finden die Seriennummer auf dem Aufkleber auf der Rückseite von PICO oder im Menü unter SYSTEM → SYSTEM INFO.

Dies ist die Standard SSID die Sie auch ändern können.

8.4.2.1.2 TCP IP

Zeigt die Standard IP Adresse von PICO an.

8.4.2.1.3 TCP PORT

Zeigt den Standard TCP Port für die Kommunikation mit PICO an.

8.4.2.1.4 UDP IP

Zeigt die Standard IP Adresse an, an die UDP Live Datenpakete gesendet werden.

8.4.2.1.5 UDP PORT

Zeigt den Standard UDP Port für die Kommunikation mit dem PICO an.

8.4.2.1.6 PASSWORT

Standard Passwort: pico<erste vier Ziffern der Seriennummer>

Beispiel: Wenn die Seriennummer Ihres PICO 12345678 lautet, lautet das Standard WLAN Passwort pico1234.

Sie finden die Seriennummer auf dem Aufkleber auf der Rückseite von PICO oder im Menü unter SYSTEM → SYSTEM INFO.

Dies ist das Standardpasswort und Sie können es ändern.

Sie können das aktuelle Passwort nicht im Menü sehen, aber Sie können es ändern, indem Sie die PASSWORD Einstellung wählen. Die minimale Passwortlänge beträgt 8 Zeichen.

8.4.2.1.7 WI-FI RESET

Wenn Sie die Wi-Fi-Einstellungen auf die Standardwerte zurücksetzen möchten, können Sie dies tun, indem Sie diese Option auswählen. Die neue (Standard) WLAN SSID und das Passwort werden auf dem Bildschirm angezeigt. Bitte merken Sie sich die SSID und das Passwort, damit Sie sich nach dem Zurücksetzen der Wi-Fi Verbindung mit PICO verbinden können.

8.4.2.2 STA MODUS

Im STA-Modus kann sich PICO mit Ihrem lokalen Router verbinden und über den Router eine Verbindung zu Ihrem Smartphone herstellen. In diesem Modus können mehrere mobile Apps gleichzeitig mit PICO verbunden werden. Führen Sie die folgenden Schritte aus, um den STA-Modus einzurichten:

- Unter MODUS wählen Sie den STA Modus.



- Suchen und wählen Sie Ihren Router unter SSID aus.
- PICO erkennt automatisch den Sicherheitstyp, danach geben Sie das WIFI Passwort ein.
- Wählen Sie verbinden und warten Sie, bis sich PICO auf den Router verbindet.



! Wenn PICO Ihre Router SSID nicht finden kann. Überprüfen Sie, ob die SSID Übertragung auf Ihrem Router aktiviert ist.

! Das Dynamic Host Configuration Protocol (DHCP) sollte auf dem Router aktiviert sein, um PICO dynamisch eine IP Adresse zuzuweisen.

8.4.2.2.1 SSID

SSID steht für Service Set Identifier und ist der Name des verbundenen Routers.

8.4.2.2.2 IP

PICOs IP-Adresse, die vom Router zugewiesen wurde.

8.5 DATUM & ZEIT

In diesem Menü können Sie die Uhrzeit, das Datum und die Zeitzone manuell einstellen. Wir empfehlen jedoch, dies nicht zu tun, da diese Werte bei jeder Verbindung der Pico App von Telefon zum PICO durch Ihre Smartphone Einstellungen überschrieben werden. Die genaue Uhrzeit ist wichtig für die



ordnungsgemäße Funktion des Geräts und wird daher bei jeder Verbindung mit Ihrem Telefon synchronisiert.

Die Einstellungen für das Zeitformat und das Datumsformat können jedoch frei geändert werden, da diese nicht von den Telefoneinstellungen außer Kraft gesetzt werden.

8.5.1 ZEIT

Stellen Sie die aktuelle Uhrzeit ein. Dieser Wert wird jedes Mal überschrieben, wenn Sie das Telefon mit Ihrem PICO verbinden und die Pico App starten.

8.5.2 DATUM

Stellen Sie das aktuelle Datum ein. Dieser Wert wird jedes Mal überschrieben, wenn Sie das Telefon mit Ihrem PICO verbinden und die Pico App starten.

8.5.3 ZEITZONE

Stellen Sie die aktuelle Zeitzone ein. Dieser Wert wird jedes Mal überschrieben, wenn Sie das Telefon mit Ihrem PICO verbinden und die Pico App starten.

8.5.4 ZEITFORMAT

Sie können Ihr gewünschtes Zeitformat aus der Liste auswählen.

8.5.5 DATUMSFORMAT

Sie können das gewünschte Datumsformat aus der Liste auswählen.

8.6 BAROGRAPH

8.6.1 HÖHE

Stellen Sie die aktuelle PICO Höhe so ein, dass MSLP - Mean Sea Level Pressure korrekt berechnet wird. Der mittlere Meeresspiegeldruck (MSLP) ist der durchschnittliche atmosphärische Druck auf Meereshöhe. Dies ist der atmosphärische Druck, der normalerweise in Wetterberichten angegeben wird.

8.6.2 ZEITINTERVALL

Das Zeitintervall ist das Standardintervall für die grafische Darstellung des Drucks (Barograph).



8.7 SYSTEM

8.7.1 KOMMUNIKATIONSGERÄTE

Liste aller Geräte (Module), die mit dem PICO verbunden sind, zusammen mit der Bus Kommunikationsqualität (%).

8.7.2 SYSTEMINFORMATIONEN

Zeigt die PICO Seriennummer, die aktuell installierte Firmware Version und den freien Speicher an.

8.7.3 SYSTEM ZURÜCKSETZEN

Löscht alle Geräte von PICO.

9 Mobile App

PICO kann von Ihrem Smartphone aus über eine WLAN Verbindung ferngesteuert werden. Mit der App können Sie aktuelle (Live) Daten von Batterien, Tanks, Thermometern und Barographen überwachen. Sie können auch die PICO Einstellungen auf Ihrem Smartphone ändern und die PICO Firmware einfach auf eine neue Version aktualisieren, sobald sie verfügbar ist.

Finden Sie Ihre PICO Battery Monitor App in Ihrem mobilen Geschäft, indem Sie den QR-Code unten scannen oder den untenstehenden Link für Ihren App Store besuchen.

Die Android App enthält auch ein Widget, das grundlegende Batterie, Tank und Thermometerdaten anzeigt. Wenn Sie das Widget verwenden möchten, können Sie es zu Ihrem Startbildschirm hinzufügen. Um ein Widget hinzuzufügen, suchen Sie auf Ihrem Startbildschirm einen leeren Bereich, berühren Sie ihn und halten Sie ihn gedrückt, bis auf dem Bildschirm die Option "Widgets" angezeigt wird. Berühren Sie die Option "Widgets" und wählen Sie dann Simarine Pico Widget aus der Liste. Bitte beachten Sie, dass das Widget die Daten nur alle paar Minuten aktualisiert, um den Akku Ihres Telefons zu schonen.



<https://play.google.com/store/apps/details?id=net.simarine.pico>
<https://itunes.apple.com/us/app/pico-battery-monitor/id1217159039>

9.1 Speichern und Wiederherstellen von Einstellungen

Mit Ihrer mobilen App können Sie Ihre aktuellen PICO Einstellungen auf Ihrem Telefon speichern und Ihre gespeicherten Einstellungen von Ihrem Telefon auf Ihrem PICO wiederherstellen.

Einstellungen speichern. Um die Einstellungen zu speichern, öffnen Sie Ihre PICO Mobile App und stellen Sie eine Verbindung zu Ihrem PICO her. Wählen Sie im Menü EINSTELLUNGEN SAVE/RESTORE SETTINGS → SAVE CURRENT SETTINGS. Benennen Sie Ihre Einstellungen und tippen Sie auf OK. Ihre Einstellungen sind jetzt gespeichert.

Einstellungen zurücksetzen. Wenn Sie die PICO Einstellungen wiederherstellen möchten, öffnen Sie Ihre PICO Mobile App und stellen Sie eine Verbindung zu Ihrem PICO her. Wählen Sie im Menü EINSTELLUNGEN. Wählen Sie SPEICHERN/WIEDERHERSTELLEN → EINSTELLUNGEN WIEDERHERSTELLEN. Eine Liste der gespeicherten Einstellungen wird zusammen mit einem Datum und einer Uhrzeit angezeigt, wann diese Einstellungen gespeichert wurden. Wählen Sie einen gewünschten Datensatz aus der Liste und tippen Sie auf RESTORE. Sie werden aufgefordert, Ihre Aktion zu bestätigen. Nachdem Sie erneut auf RESTORE gedrückt haben, warten Sie einige Sekunden und Ihre Einstellungen werden wiederhergestellt.

! Sie können Ihre zuvor gespeicherten Einstellungen wiederherstellen, wenn Ihre physische PICO Konfiguration nicht geändert wurde (keine Shunts oder Module wurden hinzugefügt oder entfernt). Wenn sich Ihre physische PICO Konfiguration geändert hat, können Sie die Einstellungen, die vor der Änderung der Konfiguration gespeichert wurden, nicht wiederherstellen.



Wenn Sie dieselbe physische PICO Konfiguration (die gleiche Anzahl von Modulen und Shunts) für mehrere Boote verwenden, können Sie die Einstellungen auch von einem Boot auf ein anderes übertragen, indem Sie das gleiche Verfahren verwenden.


Die Anwendung erstellt außerdem eine automatische Sicherung Ihrer vorherigen Einstellungen, wenn Sie Ihre Einstellungen ändern. Diese Sicherungen werden auch in der Liste der verfügbaren gespeicherten Einstellungen angezeigt, wenn Sie die Einstellungen wiederherstellen.

9.2 Firmware Aktualisierung

Um die beste PICO-Erfahrung zu gewährleisten, wird empfohlen, die Firmware von PICO auf die neueste Version zu aktualisieren. Sie können dies über die Smartphone App **Simarine PICO - Battery Monitor**, die auf Ihrem Smartphone Markt erhältlich ist, wie in Kapitel 9 Mobile App.

! Es ist wichtig, die neueste Simarine PICO - Battery Monitor App zu installieren (oder Ihre installierte App auf die neueste Version zu aktualisieren), bevor Sie mit dem Firmware Upgrade fortfahren.

Der Upgrade Prozess erfolgt in den folgenden Schritten:

1. Installieren oder aktualisieren Sie die Simarine PICO - Battery Monitor App auf Ihrem Smartphone.
2. Aktivieren Sie Wi-Fi auf Ihrem PICO.
3. Verbinden Sie Ihr Smartphone über Wi-Fi mit PICO.
4. Starten Sie die **PICO - Battery Monitor** App auf Ihrem Smartphone und klicken Sie auf LIVE VIEW.
5. Gehen Sie zum Einstellungsmenü und tippen Sie auf FIRMWARE AKTUALISIERUNG. Bestätigen Sie das Upgrade in Ihrer App. Der Aktualisierung Prozess versetzt das PICO Gerät in den Aktualisierung Modus.
6. Drücken Sie lange auf die Taste  an Ihrem PICO, um die Firmware Aktualisierung zu bestätigen. Der Aktualisierungsprozess kann einige Minuten dauern.
7. Nach der Aktualisierung wird PICO neu gestartet und ist bereit zu Benutzung.



SIMARINE

Wenn in der Pico App (Schritt 5) keine FIRMWARE AKTUALISIERUNG Option vorhanden ist, stellen Sie sicher, dass Sie Ihre App auf die neueste Version aktualisiert haben.

DE



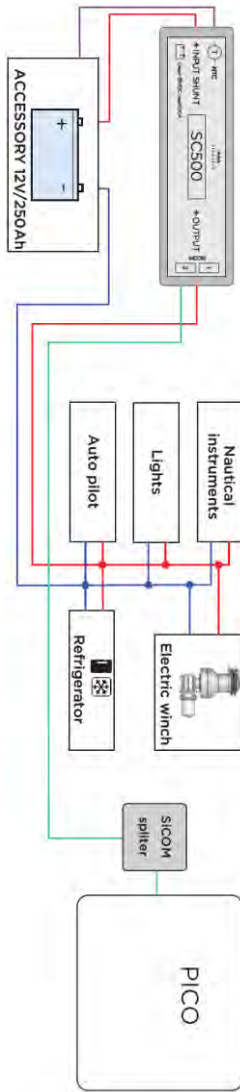
10 Technische Einzelheiten

In Betrieb	
Spannungsbereich	6 – 35 V
Temperaturbereich	-10 – +70 °C (+10 – +160 °F)
Stromverbrauch bei 12V	
Betrieb, Wi-Fi an, 100% Beleuchtung	90 mA
Betrieb, Wi-Fi aus, 70% Beleuchtung	35 mA
Standby, Wi-Fi aus, 0% Beleuchtung	18 mA
Ausgeschaltet, Logger noch aktiv	5 mA
Auflösung	
Strom	± 0.01 A
Spannung	± 0.01 V
Amperestunden	± 0.1 Ah
Ladezustand (0 - 100%)	± 0.1 %
Temperatur	± 0.1 °C/°F
Barometer	
Arbeitsbereich	950 – 1080 hPa
WIFI	
Radiofrequenzbänder	2.4 GHz
Dimensionen (ohne Connector)	
Eigenständig	98 x 84 x 10 mm 3.85 x 3.30 x 0.39 in
Panel	108.5 x 94 x 10 mm 4.27 x 3.70 x 0.39 in
Anschlussmöglichkeiten	
Batterien	6
Shunts	24
Temperatursensoren	10
Tankfüllstandssensoren	14
Neigungssensoren	2
Smartphone App	1
Loggerkapazität	Bis zu 3 Monate



11 ANHANG

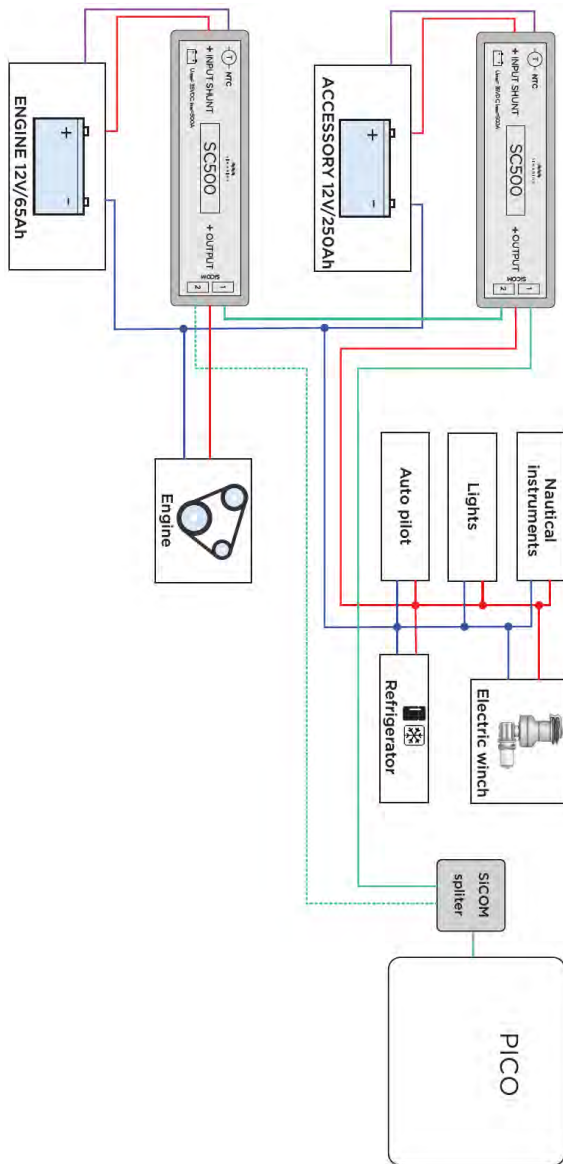
11.1 SC500





SIMARINE

11.2 2x SC500

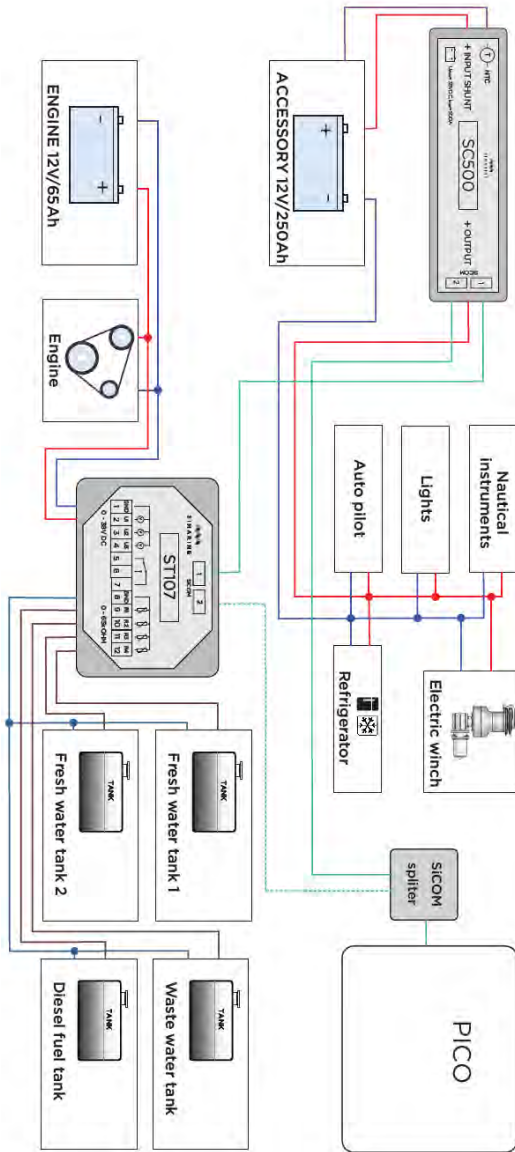


DE



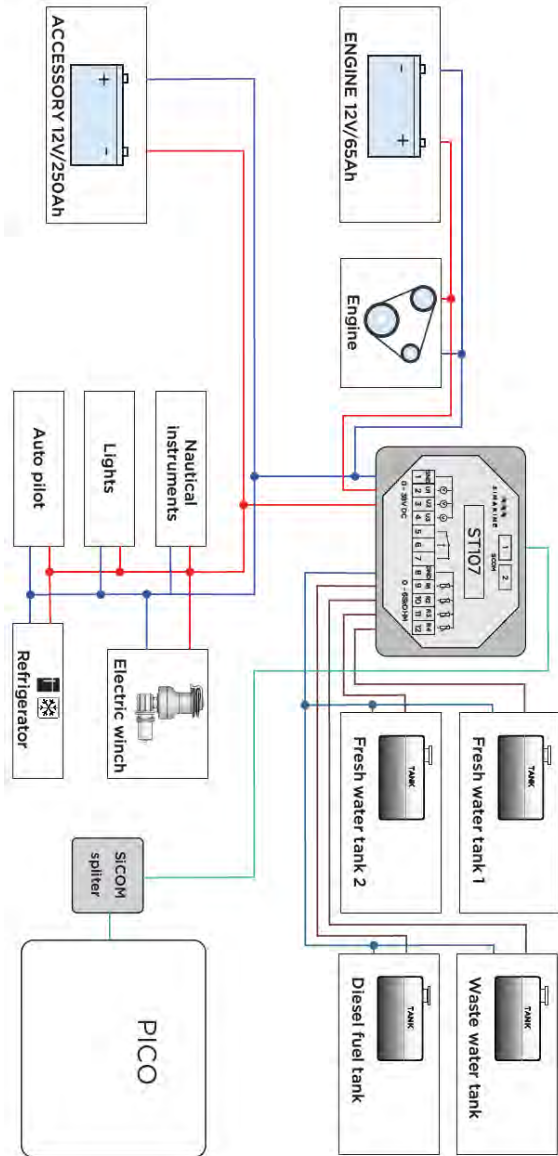
11.3 SC500 und ST107

DE





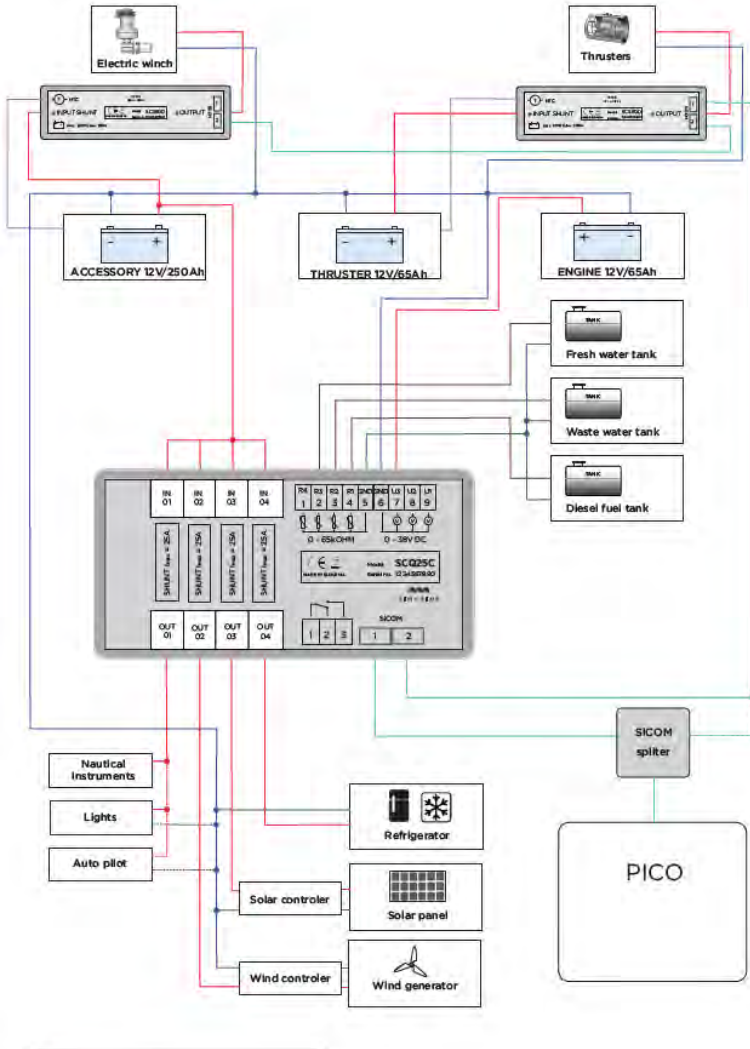
11.4 ST107





11.5 SCQ25T

DE



Note:

- +
- -
- data
- temperature
- alternative





Bitte besuchen Sie
www.simarine.net/manuals
für die neuesten Benutzerhandbücher.

© 2018 Simarine d.o.o. Alle Rechte vorbehalten.

Kein Teil dieses Handbuchs darf ohne die schriftliche Genehmigung von Simarine kopiert oder reproduziert werden. Informationen in diesem Handbuch können ohne vorherige Ankündigung geändert werden.

Android ist eine Marke von Google LLC.

iPhone ist eine Marke von Apple Inc.

Gorilla ist eine Marke von Corning Inc.